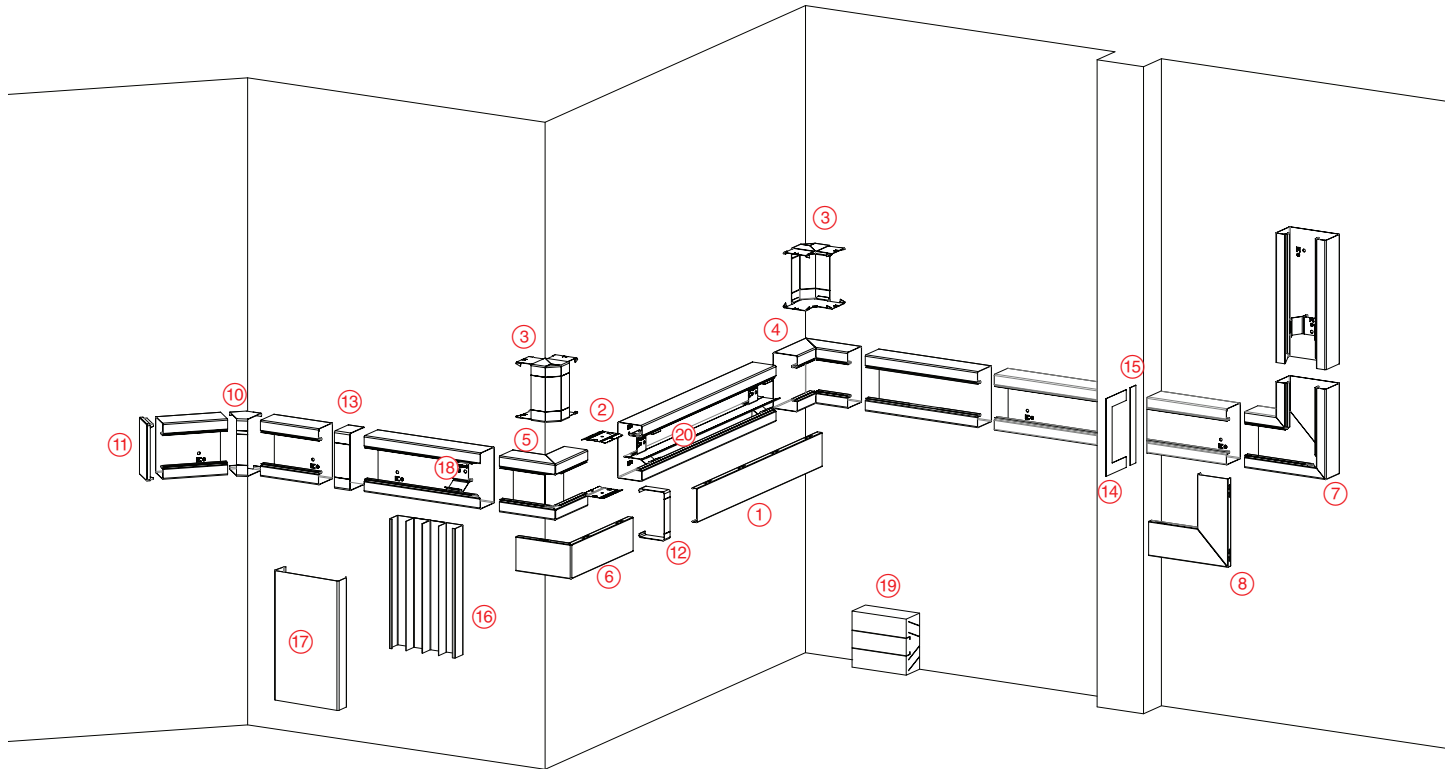


steel perimeter trunking system – 170A x 63 mm (with offset opening)

for dado or skirting applications



Selection charts **p. 4-5**
 Dimensions and technical information **p. 16-19**
 Installation material **p. 19**

Manufactured to BS EN 50085-2-1 : 2006
 Manufactured using pre-galvanised steel to BS EN 10346 : 2009 grade DX51D
 Powder coated to RAL 9010
 Trunking can be configured with 2 or 3 compartments with the option of a base divider giving the potential of 4 compartments
 Push-fit covers are designed to give excellent earth continuity without extra components

Pack	Cat. Nos.	Trunking body	Pack	Cat. Nos.	Fittings (continued)
1	MP351237	Length – 3 m With offset opening for easier plug insertion and removal in skirting applications	1	MP351277	Internal bend body ④ Requires 2 pairs of couplers Cat. No. MP351527 (opposite)
1	MP351230	Lid ① Length – 1.5 m	1	MP351307	External bend body ⑤ Requires 2 pairs of couplers Cat. No. MP351527 (opposite)
1	MP351220	Length – 100 mm For use as a spacer in between wiring accessories	1	MP351240	External bend lid ⑥
10	MP351527	Fittings Couplers ② Supplied in pairs Zinc plated	1	MP351337	Flat bend body rising ⑦ Requires 2 pairs of couplers Cat. No. MP351527 (opposite)
1	MP351177	Universal internal/external bend lid 90° +/- 5° ③ Complete with integral coupler	1	MP351367	Flat bend body descending Requires 2 pairs of couplers Cat. No. MP351527 (opposite)
1	MP351207	Internal bend cover straps 135°- 180° ⑩ Complete with adjustable coupler	2	MP351260	Flat bend lid ⑧ Suitable for rising or descending bend body
			1	MP351397	Tee body rising Requires 2 pairs of couplers Cat. No. MP351527 (opposite) Rising to 130 mm trunking Crossovers available on request, contact us on +44 (0) 370 608 9020

1: Internal components supplied unpainted