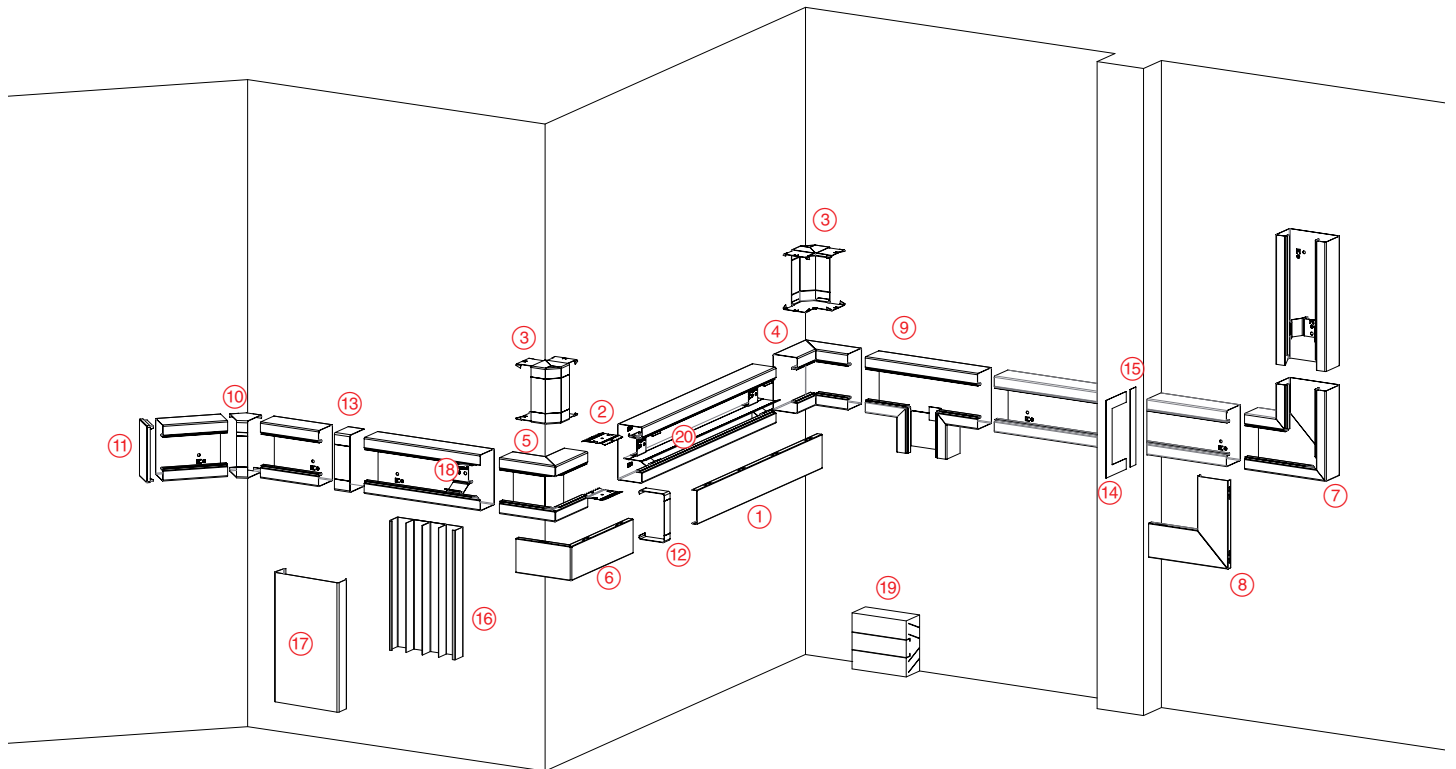


steel perimeter trunking system – 110 x 63 mm

for dado applications



Selection charts **p. 4-5**
 Dimensions and technical information **p. 16-19**
 Installation material **p. 19**

Manufactured to BS EN 50085-2-1 : 2006
 Manufactured using pre-galvanised steel to BS EN 10346 : 2009 grade DX51D
 Powder coated to RAL 9010
 Trunking can be configured with 2 or 3 compartments with the option of a base divider giving the potential of 4 compartments
 Push-fit covers are designed to give excellent earth continuity without extra components

Pack	Cat. Nos.	Trunking body		Pack	Cat. Nos.	Fittings (continued)	
1	MP351233	Length – 3 m		1	MP351273	Internal bend body ④ Requires 2 pairs of couplers Cat. No. MP351523 (opposite)	
1	MP351230	Lid ① Length – 1.5 m		1	MP351303	External bend body ⑤ Requires 2 pairs of couplers Cat. No. MP351523 (opposite)	
1	MP351220	Length – 100 mm For use as a spacer in between wiring accessories		1	MP351240	External bend lid ⑥	
10	MP351523	Fittings Couplers ② Supplied in pairs Zinc plated		1	MP351333	Flat bend body ⑦ Requires 2 pairs of couplers Cat. No. MP351523 (opposite)	
1	MP351173	Universal internal/external bend lid 90° +/- 5° ③ Complete with integral coupler		2	MP351260	Flat bend lid ⑧	
1	MP351203	Internal bend cover straps 135°- 180° ⑩ Complete with adjustable coupler		1	MP351393	Tee body ⑨ Requires 3 pairs of couplers Cat. No. MP351523 (opposite) Crossovers available on request, contact us on +44 (0) 370 608 9020	
				1	MP351563	Tee cover strap Rising to 110 mm trunking	

1: Internal components supplied unpainted