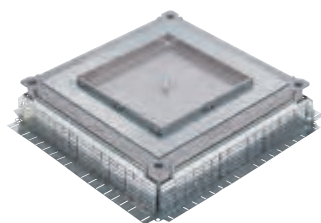
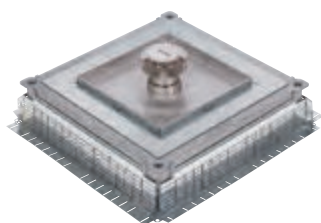


# Heavy duty in-screed floor box

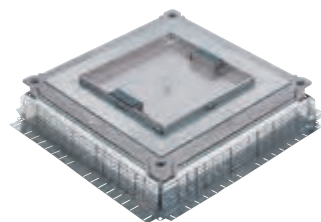
for concrete floors



0 896 34 + 0 896 83 + 0 896 85



0 896 34 + 0 896 83 + 0 896 86 + 0 896 87



0 896 34 + 0 896 83 + 0 896 88

For highly frequented areas, requiring important mechanical resistance  
Indoor installation  
Conform to standard IEC/EN 60-670

## Pack Cat.Nos Adjustable metal backbox for concrete floor

Pack	Cat.Nos	Description
1	0 896 34	<b>Universal backbox</b> For junction of LV and ELV cabling and/or installation of heavy duty floor boxes Height adjustable from 105 mm to 140 mm using 4 screws located in the box corners and a tool adapting to electric drill or screwdriver: Bendable side walls for joining with different sizes of floor ducts Supplied with worksite protection cover to be replaced by blanking cover plate or mounting cover plate Universal metal in-screed backbox



Pack	Cat.Nos	Description
1	0 896 83	<b>Accessories for metal in-screed floor box</b> Normal load support
1	0 896 84	Heavy load support
6	0 896 39	Set of 2 conduit adaptors for metal cavity floor box Cat.No 0 896 34



## Plates for metal in-screed floor boxes

Pack	Cat.Nos	Description
1	0 896 85	<b>All types of floors</b> Access trap for junction, no cable exit
1	0 896 86	<b>Marbled and tiled floors</b> Plate with central cable exit To receive 24 mosaic modules Supplied with all necessary wiring accessories supports
1	0 896 87	<b>Accessory for plate with central cable exit</b> Cable exit accessory for cover plate Cat.No 0 896 86
1	0 896 88	<b>Wooden floors</b> Plate with 2 lateral cable exits To receive 24 mosaic modules Supplied with all necessary wiring accessories supports

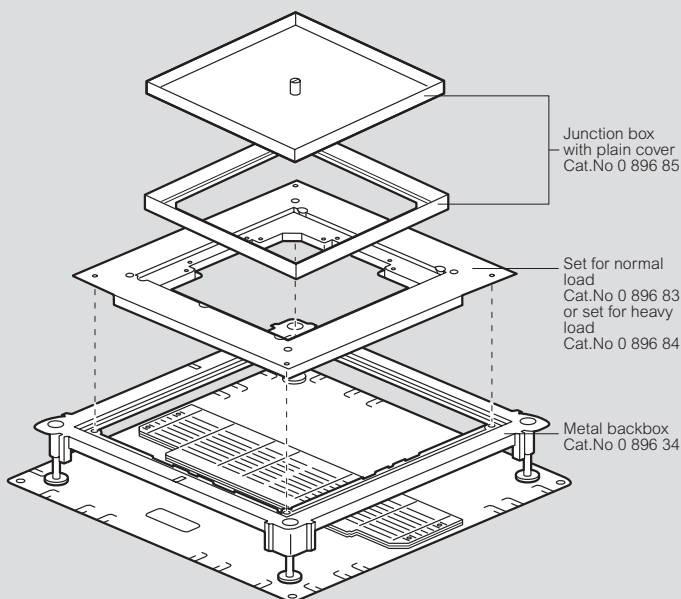


# Heavy duty in-screed floor box

## Metal in-screed floor box, installation principle

When used as junction box

Junction box with plain cover Cat.No 0 896 85



When used as floor box for wiring accessories

Floor box with central cable Cat.No 0 896 86

