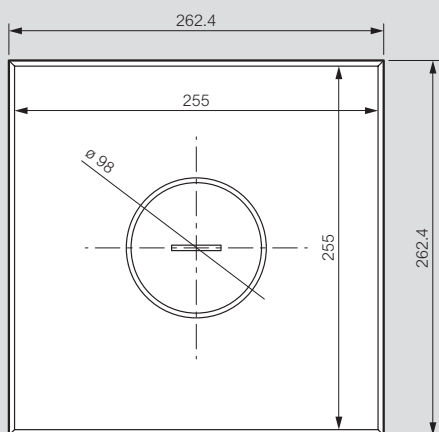
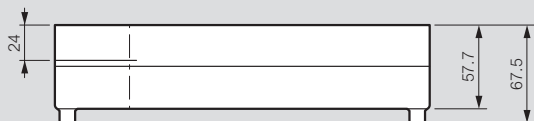


# IP 44 floor boxes for tiles/marble

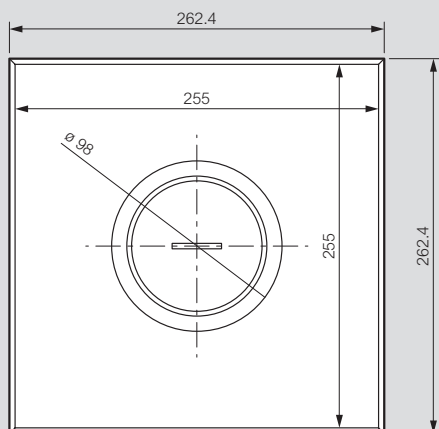
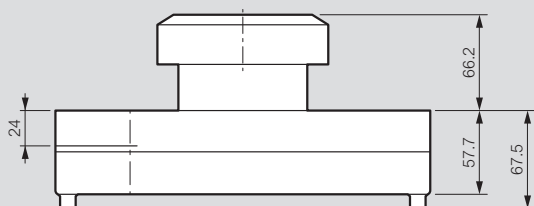
## technical characteristics

### ■ Dimensions

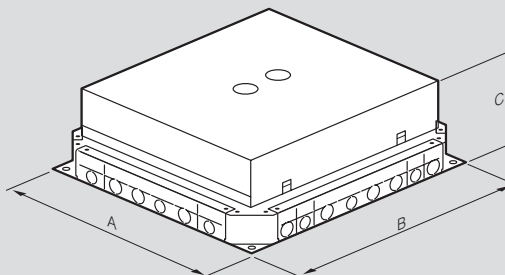
IP 44 lid and trim for tiles/marble Cat.Nos 6 896 22/23



Cat.No 6 896 23 equipped with cable exit accessory  
Cat.No 0 896 87

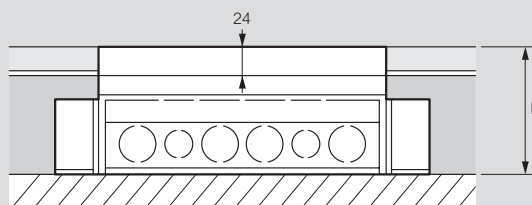


Backbox Cat.No 0 896 04



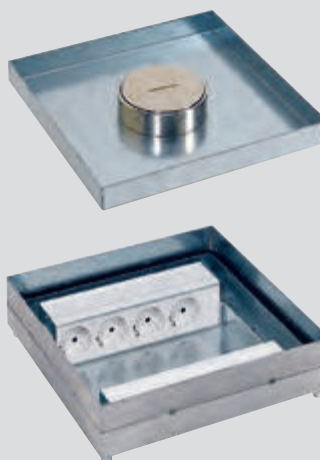
| Cat.No   | A (mm) | B (mm) | C (mm) |
|----------|--------|--------|--------|
| 0 896 04 | 325    | 325    | 90     |

### ■ Screed thickness and total height



| Installation | Plug type |        | German and French standard socket outlets |           |
|--------------|-----------|--------|---|-----------|
|              | Straight  | Angled | Hmin (mm)                                 | Hmax (mm) |
| Vertical     |           |        | 86  | 114       |

### ■ Examples of installation



IP 44 floor box Cat.No 6 896 23 equipped with vertical supports Cat.No 6 896 57 and Mosaic 2P+E sockets