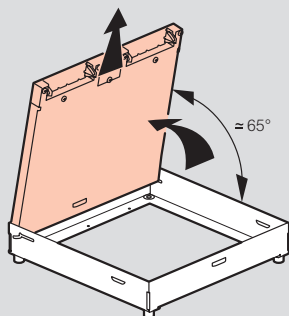


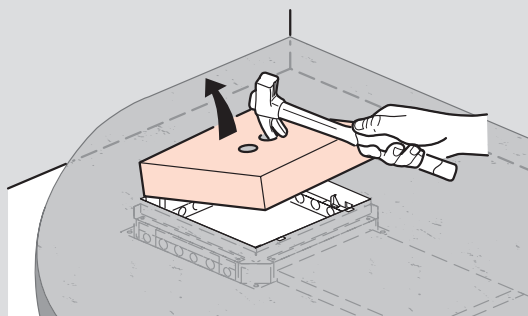
## Floor boxes for tiles/marble for screed floor

technical characteristics (continued)

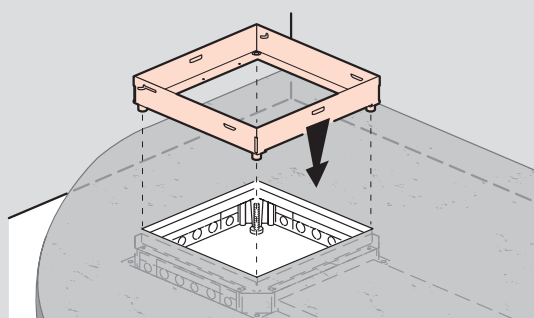
### Installation process



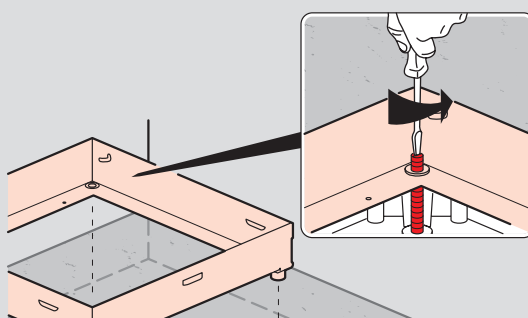
To remove the lid from the trim, hold it under an angle of approximately 65° and pull it out



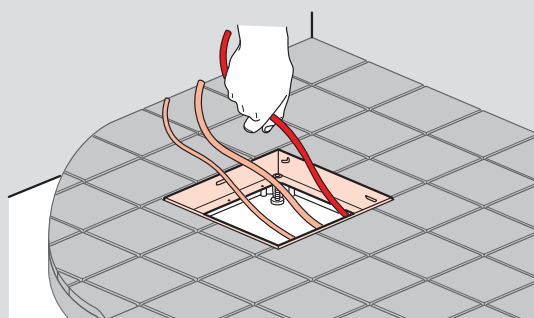
Remove site cover protection from backbox



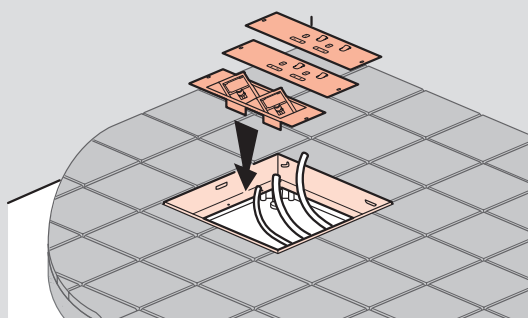
Place the trim onto the threaded rods



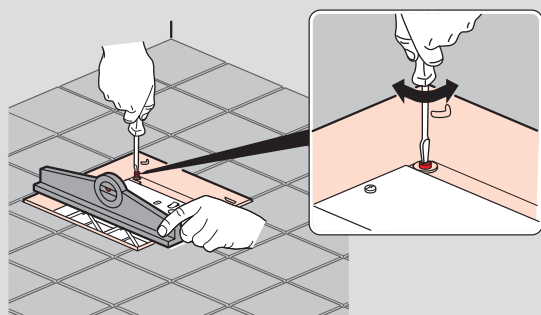
Make a rough adjustment to finished floor level by turning threaded rods in each corner with a screw driver



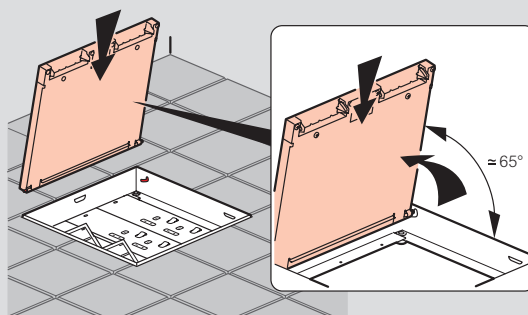
Cable the system



Tiling should be carried out at this stage



Make final adjustment to finished floor level by turning threaded rods in each corner with a screw driver



Push the lid back in place by holding it under an angle of approximately 65°