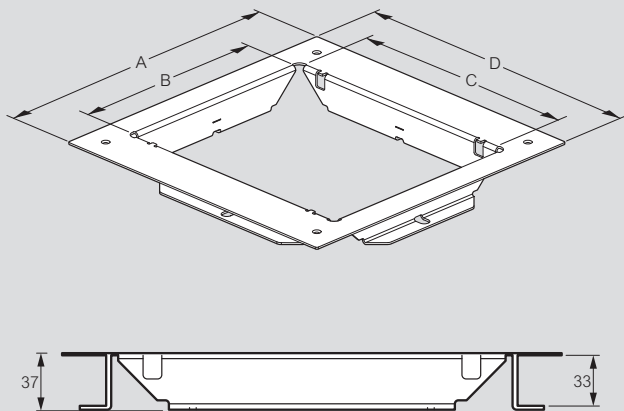


Adaptors for floor boxes

technical characteristics

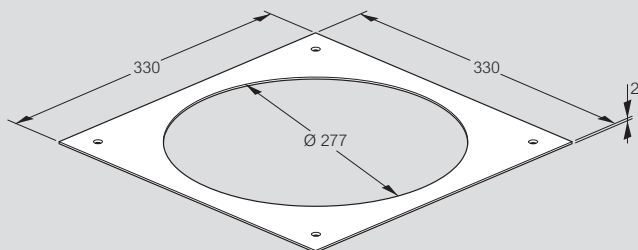
■ Dimensions

Cat.Nos 0 880 81/82/83



| Cat.Nos | A (mm) | B (mm) | C (mm) | D (mm) |
|----------|--------|--------|--------|--------|
| 0 880 81 | | 182 | | |
| 0 880 82 | 330 | 219 | 265 | 330 |
| 0 880 83 | | 265 | | |

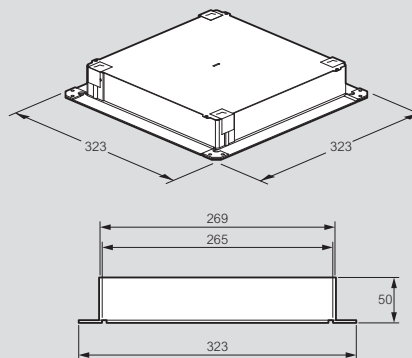
Cat.No 0 880 89



Finishing kit for waxed concrete

technical characteristics

■ Dimensions



■ Installation principle in concrete floor

