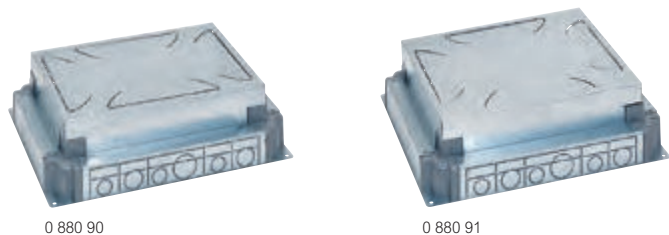


Auto-adjusting backboxes for floor boxes and access covers



0 880 90

0 880 91

Technical characteristics **see opposite.**

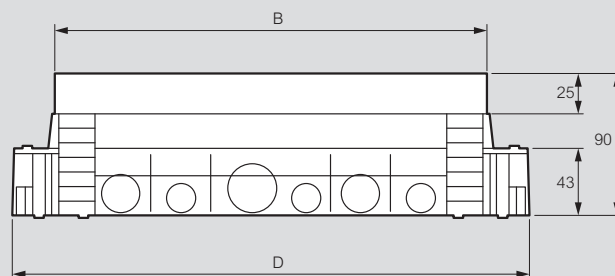
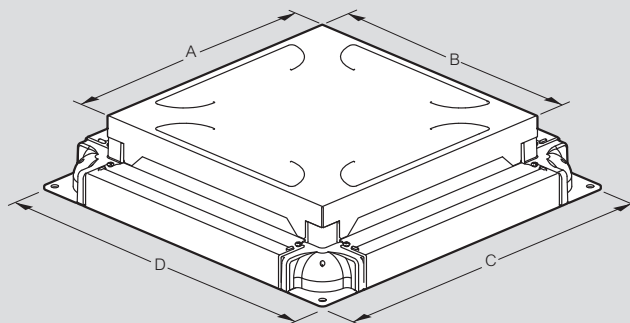
Conform to standard IEC/EN 60670-23

Pack Cat.Nos **Auto-adjusting backboxes for concrete floor**

Pack	Cat.Nos	Auto-adjusting backboxes for concrete floor
1	0 880 90	Screed height: 65 to 90 mm For floor boxes (standard or flush version) 8/12 modules Cat.Nos 0 880 20/23/39 and 0 881 20/23/39
1	0 880 91	12/18 modules Cat.Nos 0 880 21/24/40 and 0 881 21/24/40
1	0 880 92	16/24 modules Cat.Nos 0 880 22/25/41 and 0 881 22/25/41

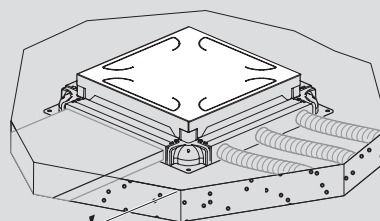
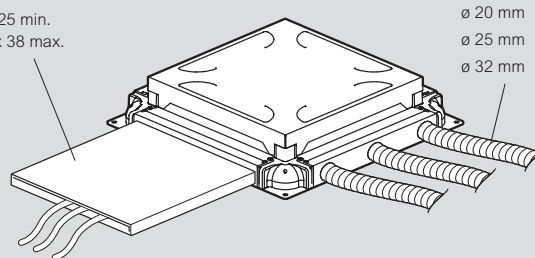
Auto-adjusting backboxes technical characteristics

■ Dimensions



Cat.Nos	A (mm)	B (mm)	C (mm)	D (mm)
0 880 90	187		242	
0 880 91	225	270	280	325
0 880 92	270		325	

75 x 25 min.
225 x 38 max.



65 mm min.
90 mm max.