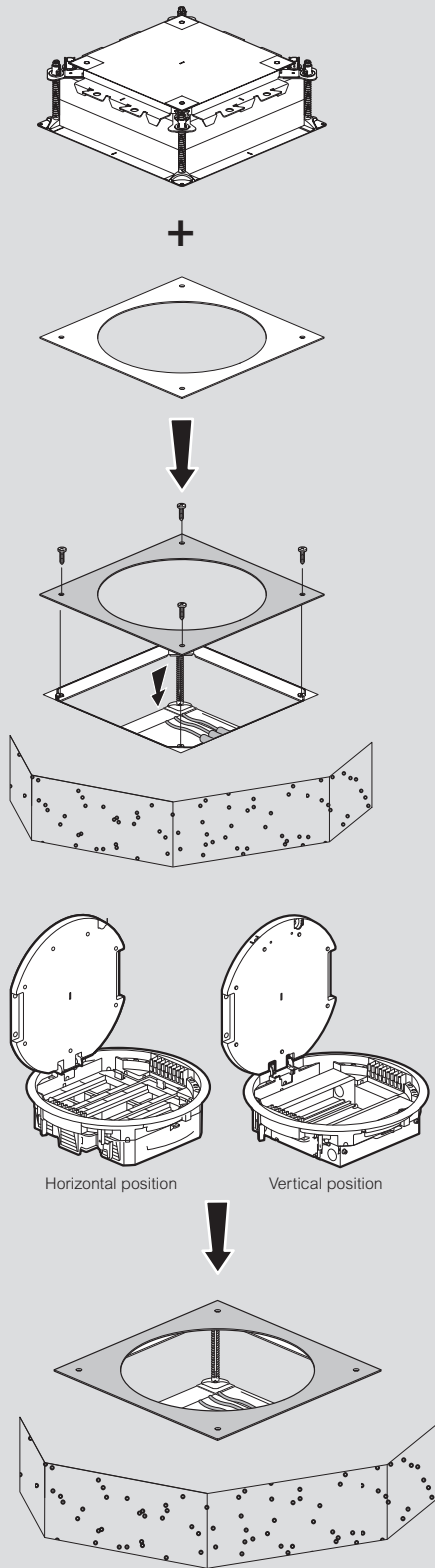


Round version floor boxes - sockets in horizontal/vertical position

Round version floor boxes - finishing plate - technical characteristics

Installation principle in concrete floor



Dimensions

