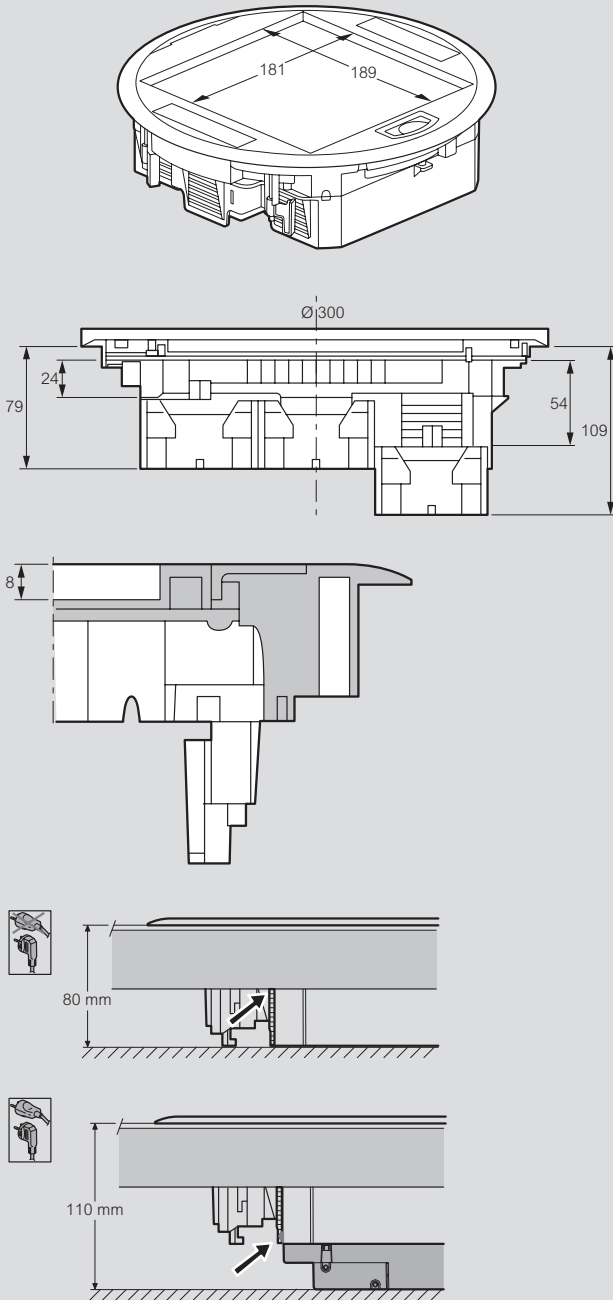


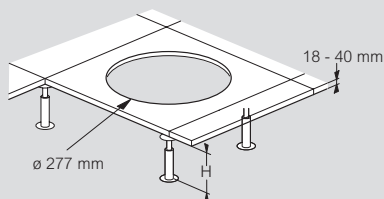
Round version floor boxes - sockets in horizontal position - technical characteristics

Round version floor boxes - sockets in vertical position - technical characteristics

■ Dimensions

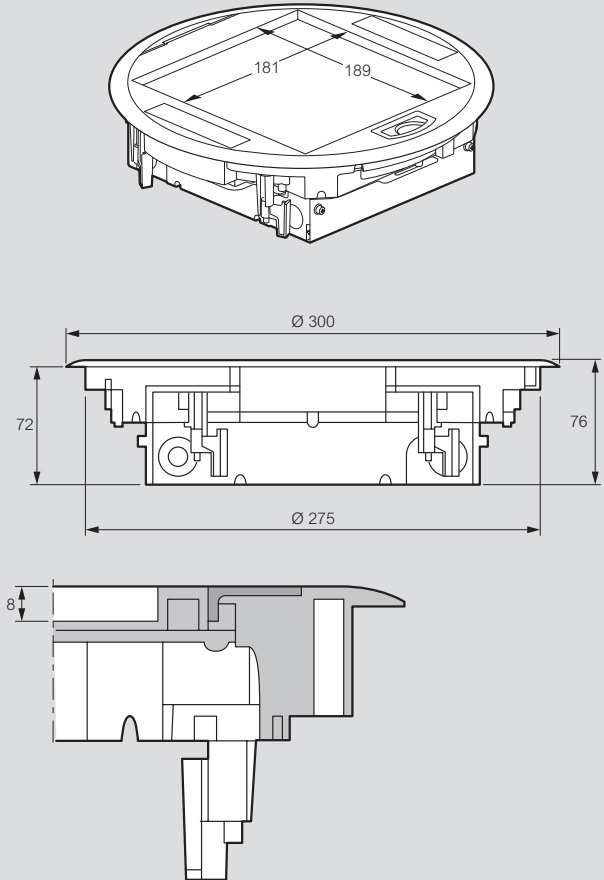


■ For installation in raised floor

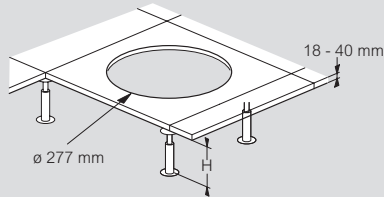


Cat.No	Hmin. (mm)
0 881 26	80

■ Dimensions


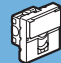


■ For installation in raised floor



Cat.No	Hmin. (mm)
0 881 27	80

■ Capacity of floor boxes Cat.No 0 881 27 depending on configuration, for optimised cabling operations

Wiring accessories	Capacity (maximum number of modules)
2P+E sockets only 	12 (2 x 6)
RJ 11 or RJ 45 sockets only 	16 (2 x 8)

Configuration example:

