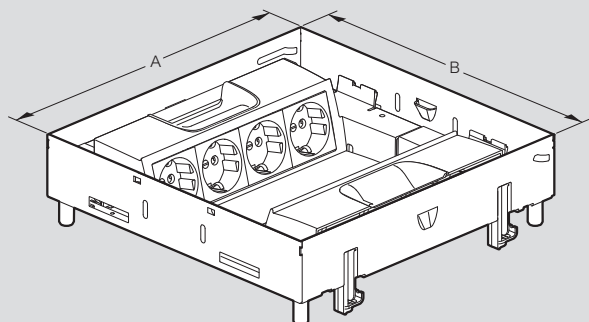


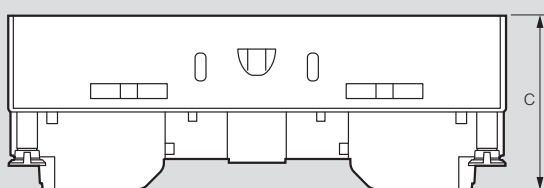
# Flush version floor boxes - sockets in vertical position

## technical characteristics

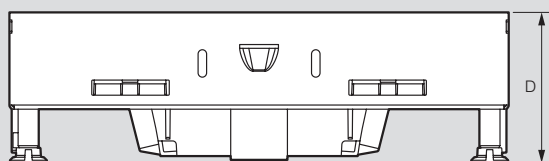
### ■ Dimensions



Installation in a raised floor with electrical insulation kits  
Cat.Nos 0 880 26/27/28



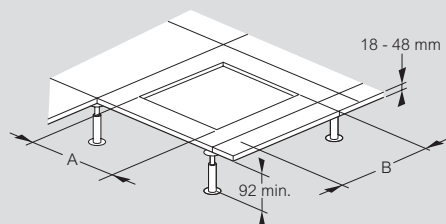
Installation in a backbox for concrete floor



Cat.Nos	A (mm)	B (mm)	C (mm)	D (mm)
0 881 23	181	265	92	80
0 881 24	219			
0 881 25	264			

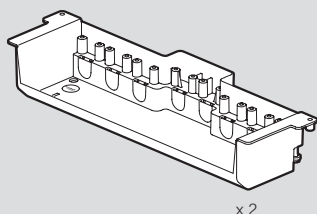
For heights of more than 122 mm, use feet  
Cat.No 0 881 42

### ■ For installation in raised floor



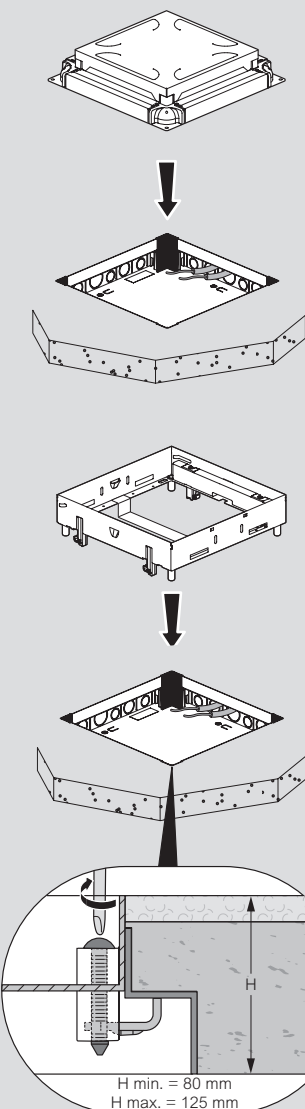
Cat.Nos	A (mm)	B (mm)
0 880 23	181	264
0 880 24	219	
0 880 25	264	

For use with electrical insulation kits Cat.Nos 0 880 26/27/28

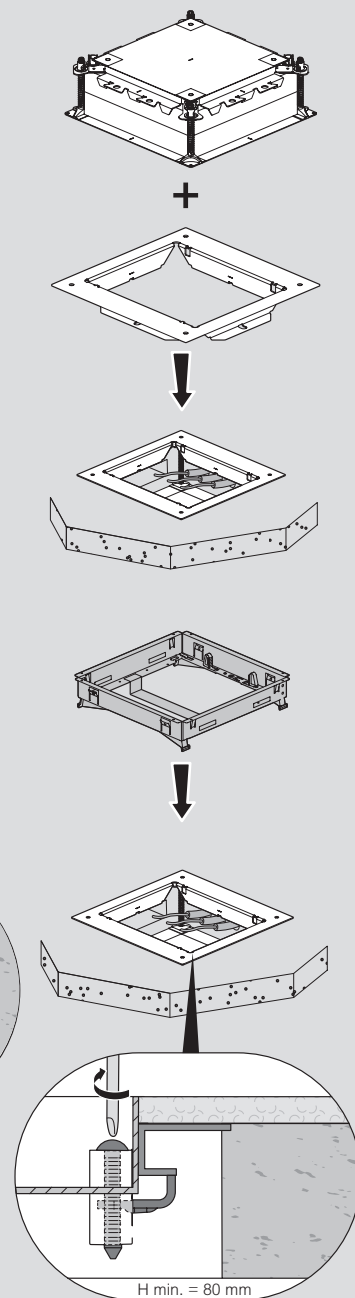


### ■ Installation principle in concrete floor

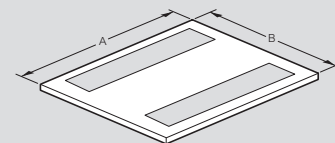
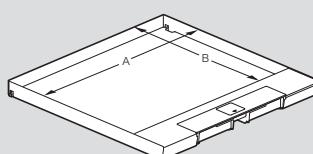
With auto-adjusting  
backbox



With universal adjustable  
backbox



### ■ Metal lid and finishing plate (dimensions)



Cat.Nos	A (mm)	B (mm)
0 881 03/06	259	127
0 881 04/07		165
0 881 05/08		210

Cat.Nos	A (mm)	B (mm)
0 881 45/48	257	125
0 881 46/49		163
0 881 47/50		208