

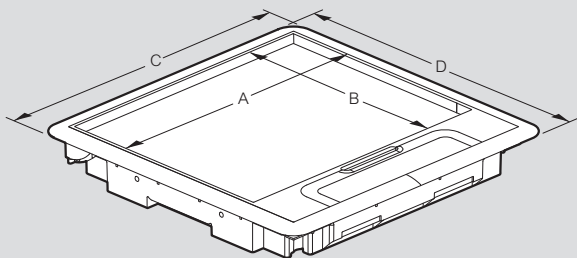
Standard version floor boxes

plastic lid and trim and finishing plate technical characteristics

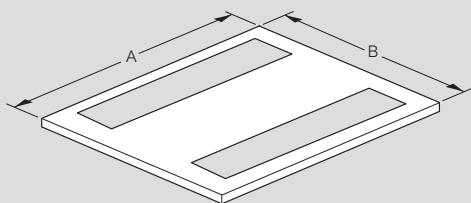
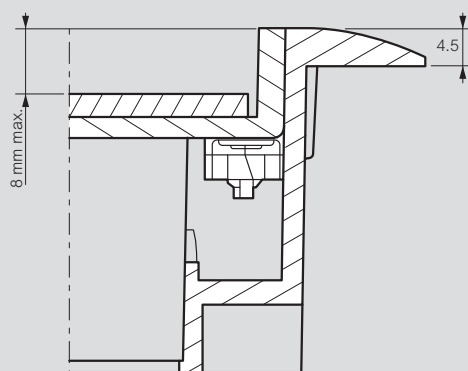
Standard version floor boxes

metal lid and trim and finishing plate technical characteristics

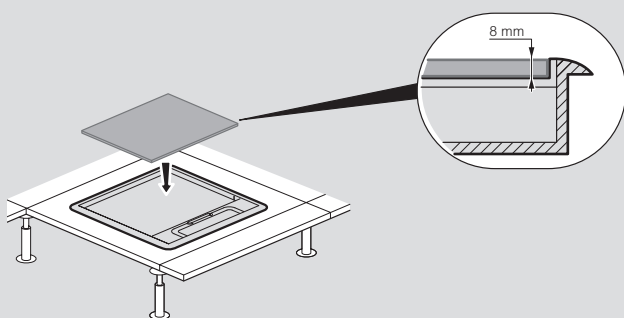
Dimensions



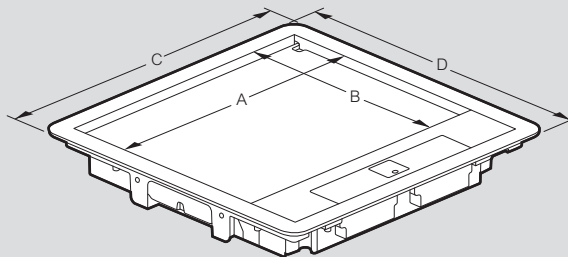
Cat.Nos	A (mm)	B (mm)	C (mm)	D (mm)
0 880 00		117		203
0 880 01	245	155	286	241
0 880 02		200		286



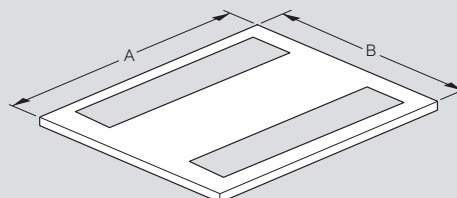
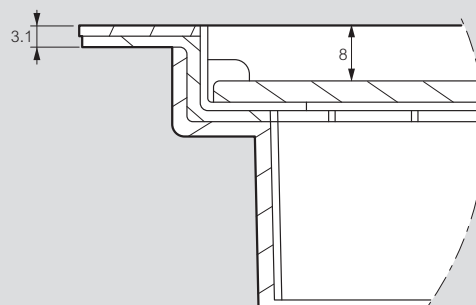
Cat.Nos	A (mm)	B (mm)
0 880 15		116
0 880 16	244	154
0 880 17		199



Dimensions



Cat.Nos	A (mm)	B (mm)	C (mm)	D (mm)
0 880 03/06		118		203
0 880 04/07	250	156	286	241
0 880 05/08		200		286



Cat.Nos	A (mm)	B (mm)
0 880 45/48		116
0 880 46/49	248	154
0 880 47/50		199

