

Compact size mini-column



Compact size mini-column

technical characteristics



6 532 00



6 532 00
(equipped with a 2P+E socket outlet and 2 RJ 45 sockets)



6 532 01

Conform to IEC 61084-2-4

IP 40 - IK 08

Halogen free

For distribution of power vertically

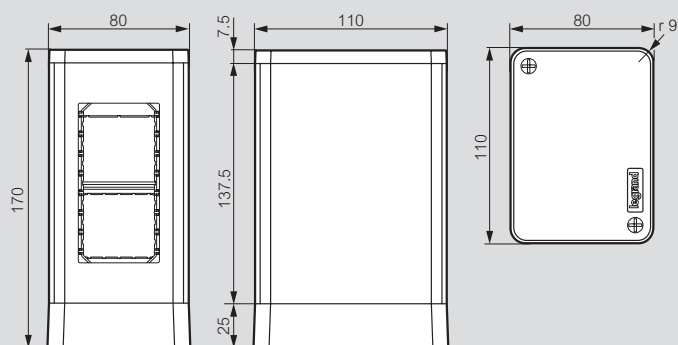
Wiring through the floor via conduits or floor trunking

To be equipped with Arteor or Mosaic wiring accessories (direct clipping)

Pack	Cat.Nos	Compact size mini-column
1	6 532 00	<p>Height: 17 cm</p> <p>Capacity: 4 modules</p> <p>Can be extended to 8 modules with the help of the additional support Cat.No 6 532 01</p> <p>Can be joined together horizontally and/or vertically by using the joining kits Cat.Nos 6 532 02/03</p> <p>Removable sides for free access to cables during wiring operations</p> <p>Base to be screwed on the floor</p> <p>Body: white RAL 9003</p> <p>Base and top: grey</p>
1	6 532 01	<p>Additional support for wiring devices</p> <p>To be installed on the compact mini-column Cat.No 6 532 00</p> <p>Capacity: 4 modules</p> <p>Can take 45 x 45 format wiring devices (Mosaic and Arteor) by direct clipping</p> <p>Supplied with a plastic partition to separate power and data circuits inside the compact mini-column</p>
1	6 532 02	<p>Joining kits</p> <p>For horizontally joining together two compact mini-columns Cat.No 6 532 00</p>
1	6 532 03	<p>For vertically joining together two compact mini-columns Cat.No 6 532 00</p>

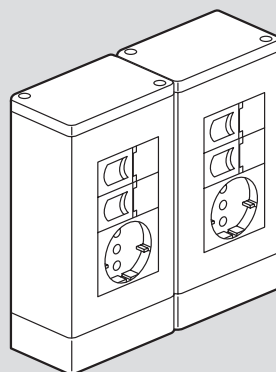
Dimensions (mm)

Compact size mini-column Cat.No 6 532 00

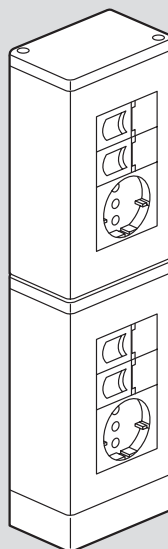


Installation principle

Horizontal assembling (2 or more compact mini-columns)



Vertical assembling (2 or more compact mini-columns)



Several compact mini-columns can be joined together with no limit