



6 548 92

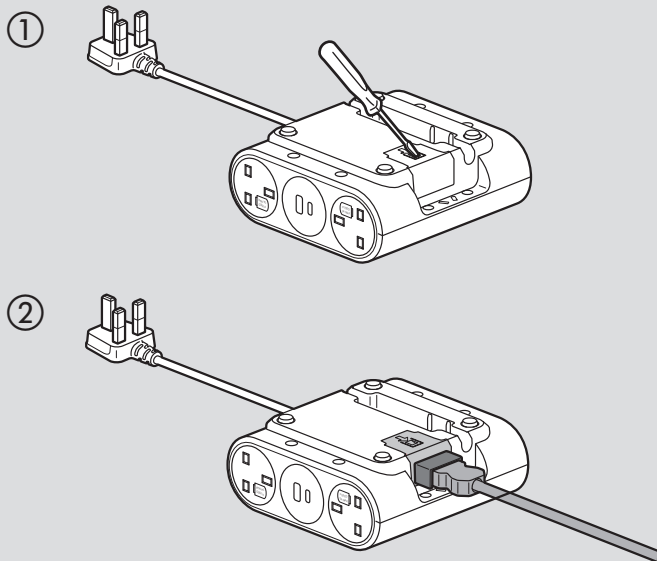
Portable, ready-to-use multi-outlet extensions for meeting rooms
For connecting multimedia devices as close to the user as possible
without having to drill into furniture
Conform to standard BS 5733

Max. power: 3680 W at 230 V~ per circuit
2P+E sockets: 250 V~ 50/60 Hz, equipped with 5 A fuse and safety
shutters, conforming to standard BS 1363-2
USB chargers: 110-240 V~ 50/60 Hz power supply, conforming to
standard IEC 62368-1

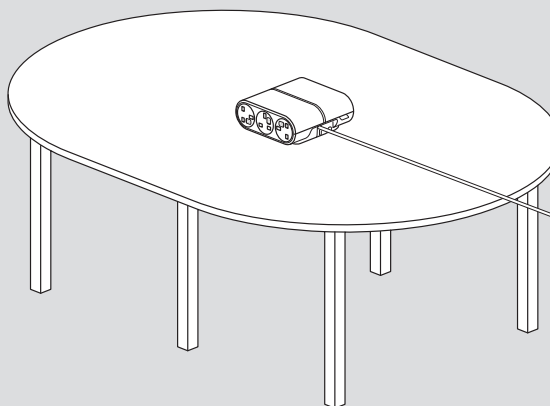
Pack	Cat.Nos	Extendable Incara Link'On outlet unit
1	6 548 91	With 2.5 m power cord and 2P+E plug Can be used together with fuse and extension Cat.No 6 548 93 for more users ● Black Composition: - 4 x 2P+E sockets - 2 x 15 W USB Type-A + Type-C chargers - 1 x 2 m HDMI cable - Integrated Wieland GST18i3 connector for connecting extension Cat.No 6 548 93
1	6 548 92	● Black Composition: - 4 x 2P+E sockets - 2 x 15 W USB Type-A + Type-C chargers - Integrated Wieland GST18i3 connector for connecting extension Cat.No 6 548 93
1	6 548 93	Extension for Incara Link'On With 1.5 m power cord with Wieland GST18i3 connector ● Black Extension for Link'On Cat.Nos 6 548 91/92 Composition: - 4 x 2P+E sockets - 2 x 15 W USB Type-A + Type-C chargers

Using two extendable Incara Link'On units together

Cat.Nos 6 548 91/92/93



6-socket Incara Link'On in a meeting room



Using two 4-socket Incara Link'On units together in a meeting room

