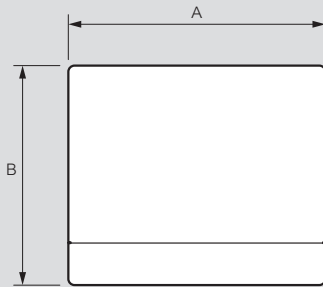


Incara™ Pop-up - British standard

technical characteristics

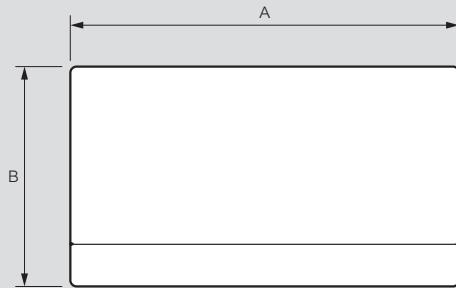
■ Dimensions

4 modules



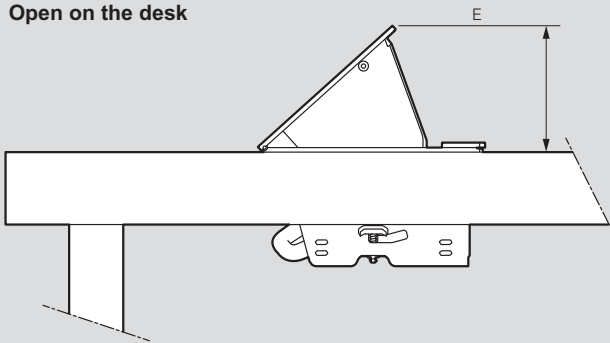
Cat.Nos	A	B
6 548 00/01/02/03/30/31/32/33/34/39	146	125

8 modules



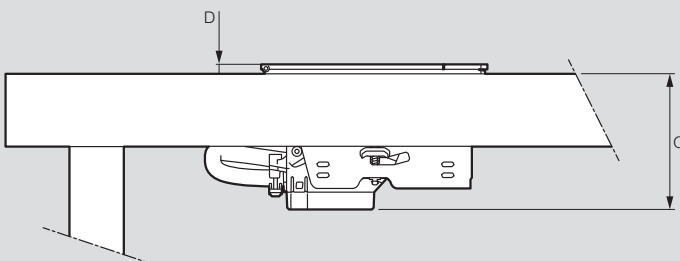
Cat.Nos	A	B
6 548 08/09/10/11	236	125

Open on the desk



Cat.Nos	E
6 548 00/01/02/03/08/09/10/11/30/31/32/33/34/39	70

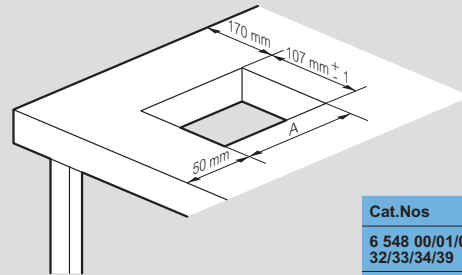
Closed on the desk



Cat.Nos	C	D
6 548 00/01/02/03/08/09/10/11/30/31/32/33/34/39	75	5.2

■ Drilling dimensions

Cut-out for corners

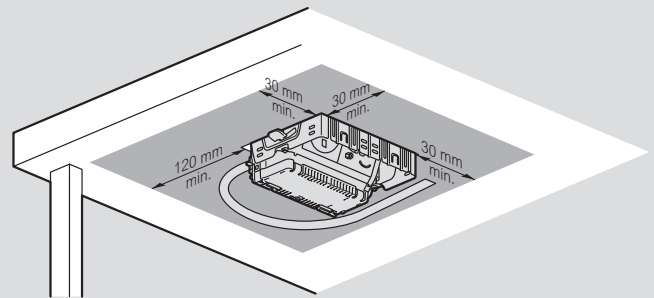


Cat.Nos	A
6 548 00/01/02/03/30/31/32/33/34/39	129 mm ± 1
6 548 08/09/10/11	219 mm ± 1



Note: For other cut-outs: see the product data sheet available online

■ Dimensions on the underside of the desk



■ Insertion

