

Incara™ Disq 60 - British standard

for offices and collaborative spaces



Incara™ Disq 60 - British standard

technical characteristics



Technical characteristics **see opposite**

For flush-mounting in furniture in Ø60 mm cut-out
 Three methods of installation:
 - Flush-mounting in the furniture (desk), 6-40 mm thickness
 - Flush-mounting on a soft surface (armchair, sofa) using a dedicated accessory
 - Flush-mounting on a metal panel, 1 mm thickness (locker)
 Conform to standard BS 5733

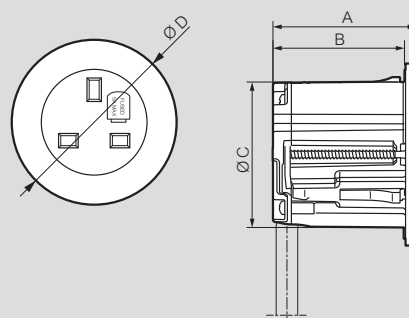
Pack	Cat.Nos	2P+E sockets
		250 V~ 50/60 Hz Sockets specially designed for passageways (30,000 operations) and equipped with 5 A fuse and safety shutters Conform to standard BS 1363-2
		With 0.5 m cord and GST18i3 Wieland connector
1	6 550 08	● Metal finish
1	6 550 06	○ White finish
1	6 550 07	● Black finish
		With 2 m cord and 2P+E plug
1	6 550 02	● Metal finish
1	6 550 00	○ White finish
1	6 550 01	● Black finish
		15 W USB Type-A + Type-C chargers
		Power supply: 110-240 V~ 50/60 Hz Conform to standard IEC 62368-1
		With 2 m cord and 2P+E plug
1	6 550 14	● Metal finish
1	6 550 12	○ White finish
1	6 550 13	● Black finish
		Accessory for installing in a soft surface
15	6 547 39	For strengthening the fabric cover to provide stability for the product
		Wieland accessories
		Combined Wieland GST18i3 connector/2P+E plug cord
1	6 549 86	Length 2 m
1	6 549 87	Length 3 m
		Protective casing
1	6 547 99	For Wieland GST18i3 connectors

Other configurations, socket standards and finishes available on request or via the pCon software



■ Dimensions (mm)

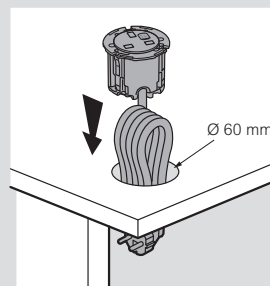
Incara Disq 60
 Cat.Nos 6 550 00/01/02/06/07/08/12/13/14



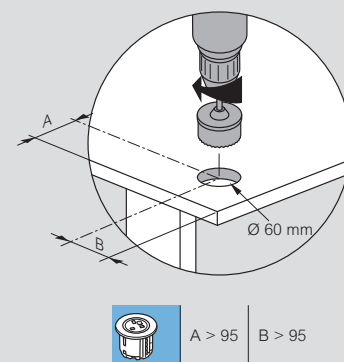
A	B	C	D
54.5	50	59	74

■ Positioning

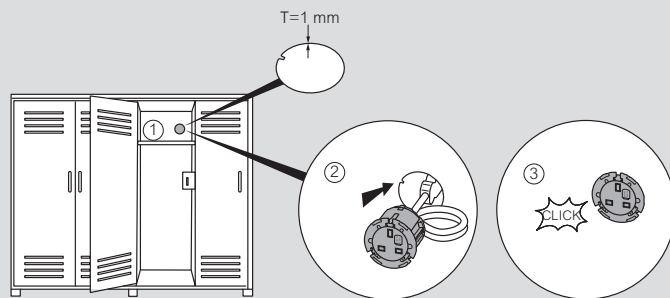
Installing in office furniture



Drilling dimensions



Installing in metal furniture such as a locker



Installing in a sofa

