



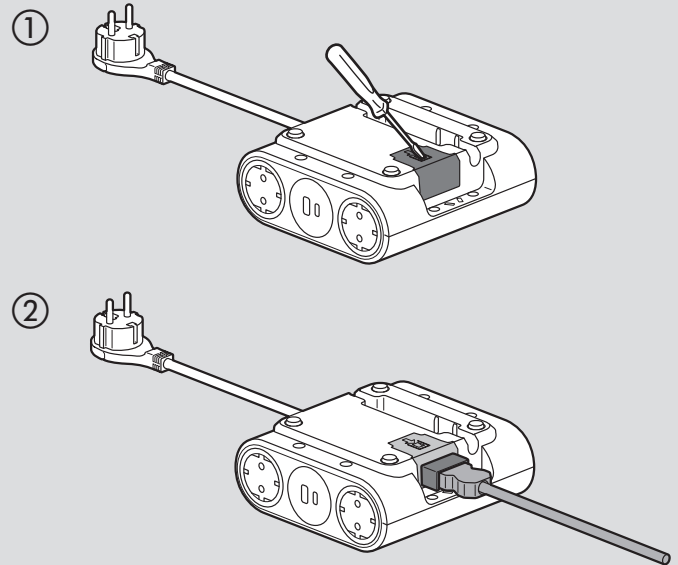
6 548 88

Portable, ready-to-use multi-outlet extensions for meeting rooms
For connecting multimedia devices as close to the user as possible
without having to drill into furniture
Max. power: 3680 W at 230 V~ per circuit
2P+E sockets: 16 A 250 V~ 50/60 Hz, equipped with safety shutters
USB chargers: 110-240 V~ 50/60 Hz power supply

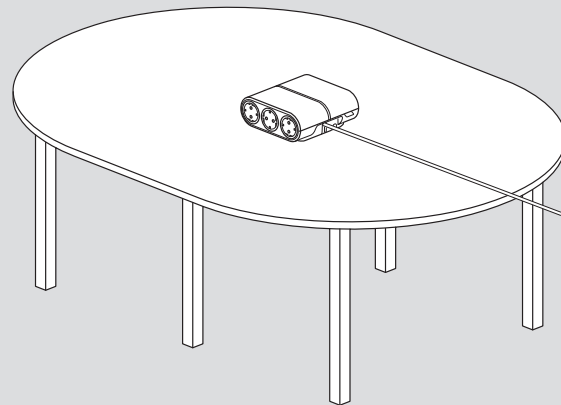
Pack	Cat.Nos	Standalone Incara Link'On outlet unit
1	6 548 86	With 2.5 m fabric power cord and 2P+E plug Composition: - 6 x 2P+E flush sockets ● Black
1	6 548 87	Extendable Incara Link'On outlet unit With 2.5 m power cord and 2P+E plug Can be used together with extension Cat.No 6 548 89 for more users ● Black Composition: - 4 x 2P+E sockets - 2 x 15 W USB Type-A + Type-C chargers - 1 x 2 m HDMI cable - Integrated Wieland GST18i3 connector for connecting extension Cat.No 6 548 89
1	6 548 88	● Black Composition: - 4 x 2P+E sockets - 2 x 15 W USB Type-A + Type-C chargers - Integrated Wieland GST18i3 connector for connecting extension Cat.No 6 548 89
1	6 548 89	Extension for Incara Link'On With 1.5 m power cord with Wieland GST18i3 connector ● Black Extension for Link'On Cat.Nos 6 548 87/88 Composition: - 4 x 2P+E sockets - 2 x 15 W USB Type-A + Type-C chargers

Using two extendable Incara Link'On units together

Cat.Nos 6 548 87/88/89



6-socket Incara Link'On in a meeting room



Using two 4-socket Incara Link'On units together in a meeting room

