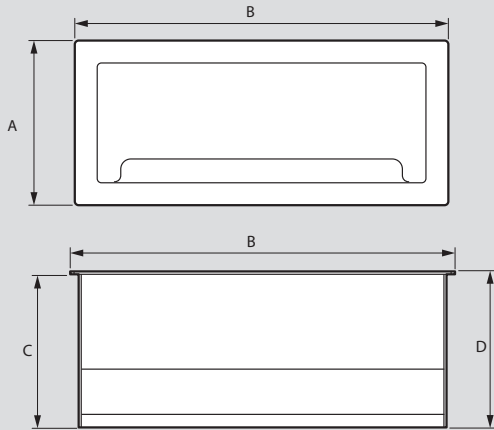


Incara™ Top Access

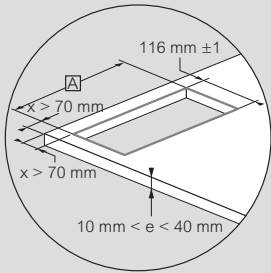
technical characteristics

■ Dimensions (mm)



	A	B	C	D
Incara Top Access 295	130	295	120	122.2
Incara Top Access 385		385		

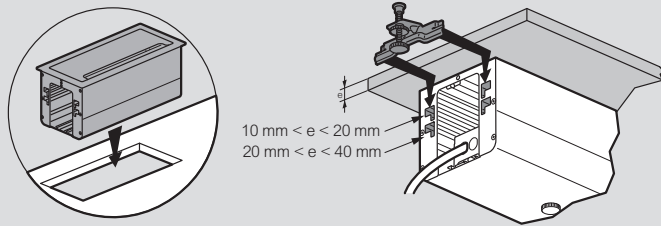
■ Cut-out for corners



	6 548 70/71/72	6 548 73/74/75
A	284 mm ± 1	374 mm ± 1

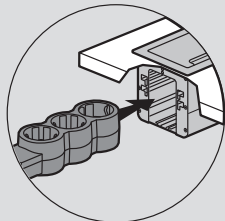
Note: For other cut-outs: see the product data sheet available online

■ Insertion and fixing

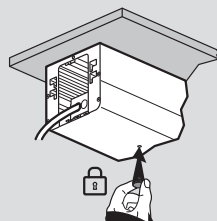
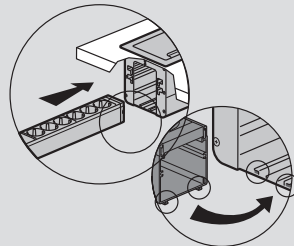


■ Installing a socket outlet unit

Standard multi-outlet



Legrand office modules

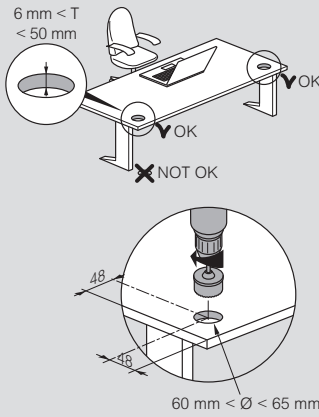


Incara™ Tower 60 and 120 - German standard

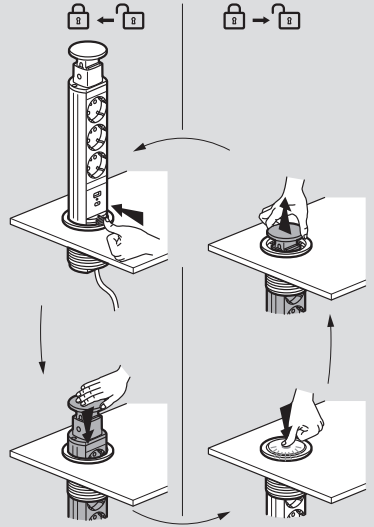
technical characteristics

■ Incara Tower 60

Drilling dimensions

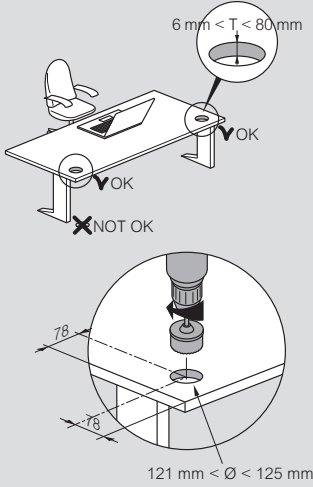


Use



■ Incara Tower 120

Drilling dimensions



Use

