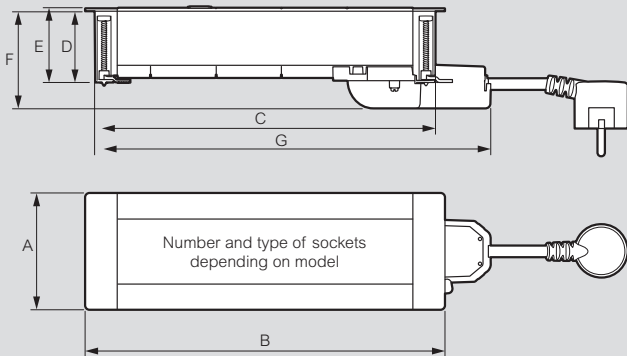


Incara™ Multilink - German standard

technical characteristics

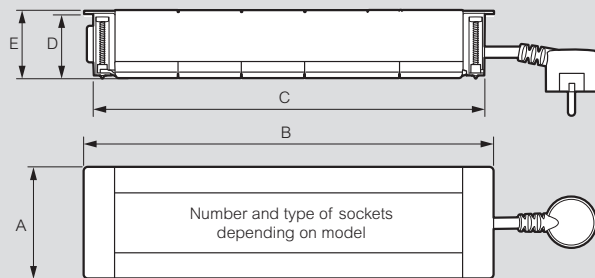
■ Dimensions (mm)

Incara Multilink for flush-mounting in furniture
Cat.Nos 6 547 79/80/81/85/86/87/89/90/91/93



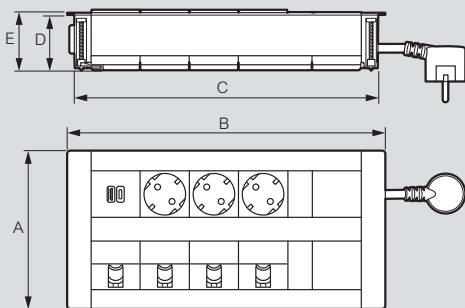
Cat.Nos	A	B	C	D	E	F	G
6 547 79/85/89	80	134.3	121.3	48.8	51.2	66.6	159.1
6 547 80/86/90/93	80	201.5	188.5	48.8	51.2	66.6	188.5
6 547 81/87/91	80	246.5	233.5	48.8	51.2	66.6	271.3

Incara Multilink for flush-mounting in a partition Cat.Nos 6 548 62/63



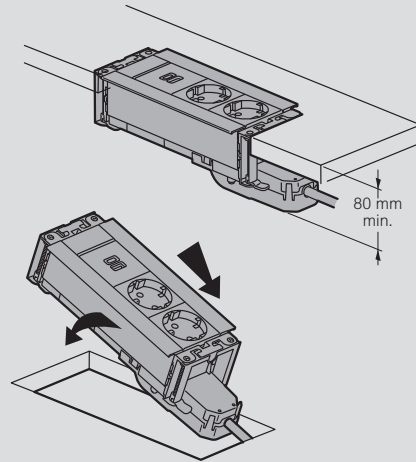
Cat.Nos	A	B	C	D	E
6 548 62	80	291.5	278.5	50.7	53.2
6 548 63	80	404	391	50.7	53.2

Incara Multilink for flush-mounting in a partition Cat.No 6 548 65

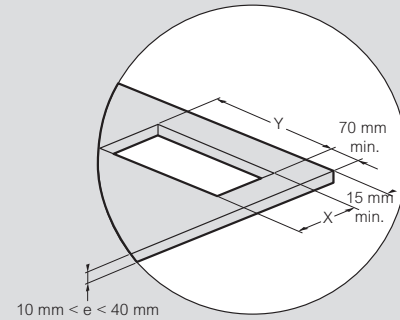


Cat.No	A	B	C	D	E
6 548 65	145	291.5	278.5	50.7	53.2

■ Installation and fixing in furniture



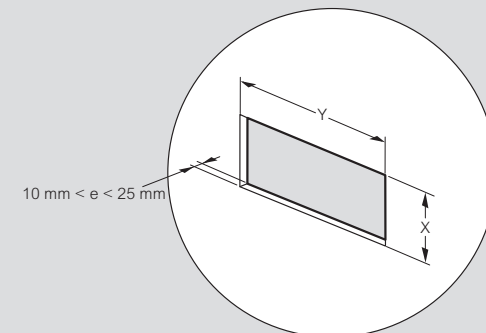
■ Drilling dimensions for installing in furniture



Cat.Nos	X ± 1 mm	Y ± 1 mm
6 547 79/85/89	67	125
6 547 80/86/90	67	193
6 547 81/87/91	67	238
6 547 93	67	215

Note: For other cut-outs: see the product data sheet available online

■ Drilling dimensions for installing in a wall



Cat.Nos	X ± 1 mm	Y ± 1 mm
6 548 62	67	283
6 548 63	67	396
6 548 65	132	283

Note: For other cut-outs: see the product data sheet available online