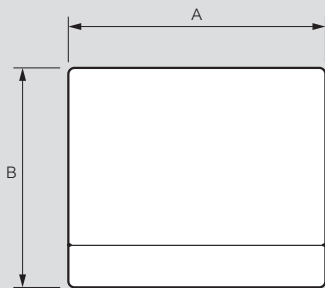


# Incara™ Pop-up - German standard

## technical characteristics

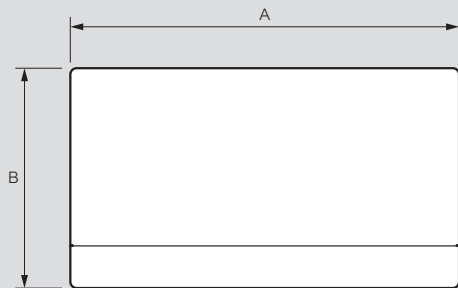
### ■ Dimensions

#### 4 modules



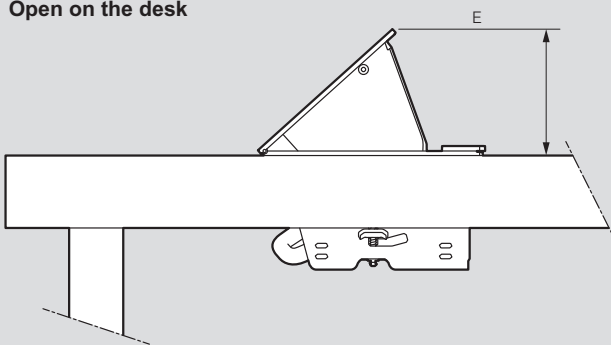
Cat.Nos	A	B
6 548 00/01/02/03/22/23/28	146	125

#### 8 modules



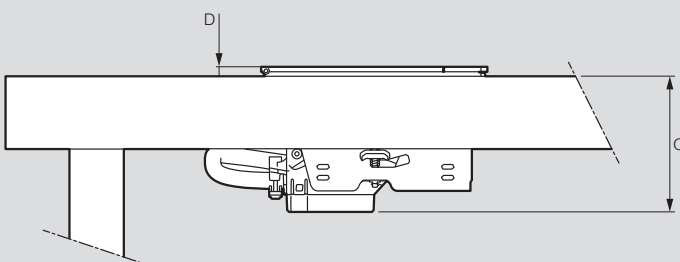
Cat.Nos	A	B
6 548 08/09/10/11	236	125

#### Open on the desk



Cat.Nos	E
6 548 00/01/02/03/08/09/10/11/22/23/28	70

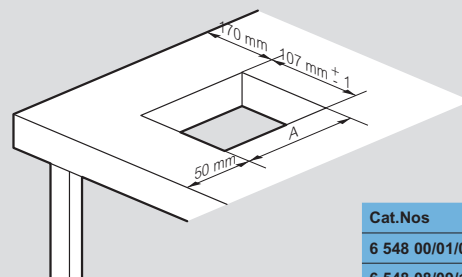
#### Closed on the desk



Cat.Nos	C	D
6 548 00/01/02/03/08/09/10/11/22/23/28	75	5.2

### ■ Drilling dimensions

#### Cut-out for corners

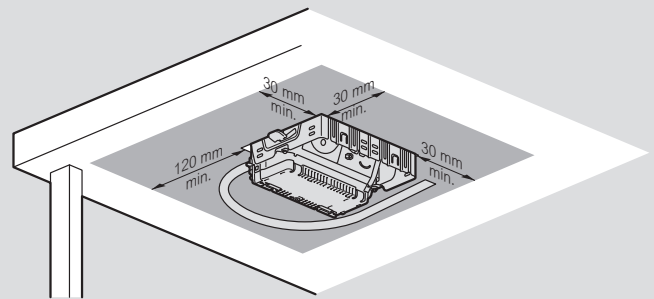


Cat.Nos	A
6 548 00/01/02/03/22/23/28	129 mm ± 1
6 548 08/09/10/11	219 mm ± 1



**Note:** For other cut-outs: see the product data sheet available online

### ■ Dimensions on the underside of the desk



### ■ Insertion

