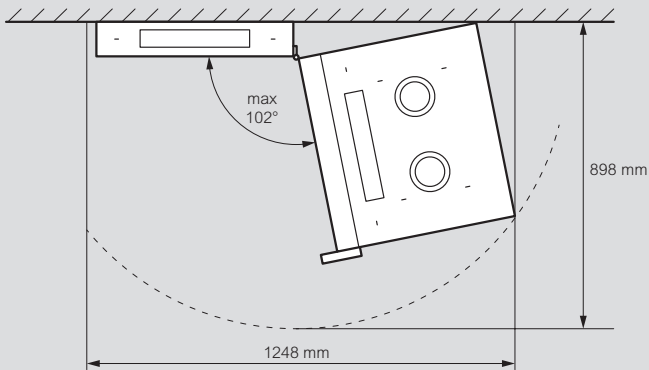
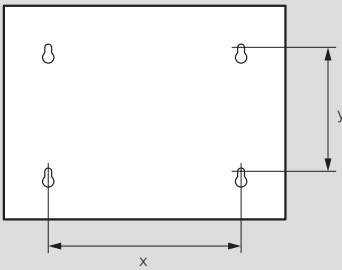


## Linkeo 19" wall-mounting cabinets (continued)

### Pivoting base opening

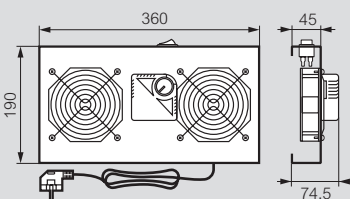


### Fixing (mm)



	Cat.Nos	Capacity	X	Y	
19" fixed cabinet	fixed side panels	6 462 00	6U	400	152
		6 462 01	9U	400	286
		6 462 02	12U	400	419
		6 462 03	15U	400	552
		6 462 04	18U	400	685
		6 462 05	21U	400	819
		6 462 10	6U	400	152
		6 462 11	9U	400	286
		6 462 12	12U	400	419
		6 462 13	15U	400	552
	removable side panels	6 462 14	18U	400	685
		6 462 15	21U	400	819
		6 462 50	6U	400	152
		6 462 51	9U	400	286
		6 462 52	12U	400	419
		6 462 53	15U	400	552
		6 462 54	18U	400	685
		6 462 55	21U	400	819
		6 462 60	6U	400	152
		6 462 61	9U	400	286
19" pivoting cabinets	6 462 62	12U	400	419	
	6 462 63	15U	400	552	
	6 462 64	18U	400	685	
	6 462 65	21U	400	819	
10" fixed cabinet	6 462 21	9U	400	390	
6 462 22	12U	400	523		
6 462 23	15U	400	657		
6 462 24	18U	400	790		
6 462 25	21U	400	923		
6 462 30	6U	171	197		

### Fan kit (mm)



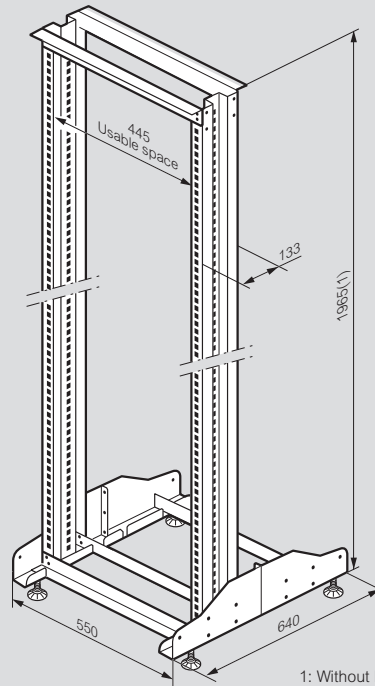
## Bati-rack

### Bati-rack general characteristics

Metal bati-rack  
RAL 7035 textured polyester coating providing excellent resistance to corrosion and scratching  
Perforations in 19" uprights: 9.5 x 9.5mm  
Permissible load: 300 kg

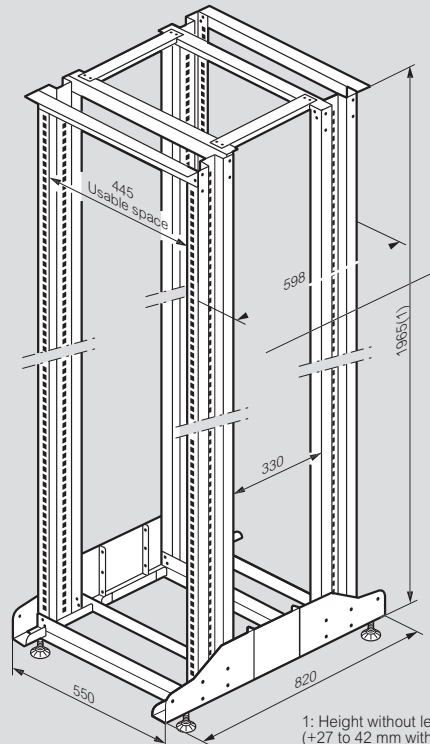
### Dimensions (mm)

#### 2-upright bati-rack Cat.No 0 463 95



1: Without levelling feet  
(+27 to 42 mm with feet)

#### 4-upright bati-rack Cat.No 0 463 96



1: Height without levelling feet  
(+27 to 42 mm with feet)