

Keor Compact

On-line double conversion UPS - three-phase VFI



Keor Compact

technical characteristics



3 111 00

- Power factor correction PFC (input PF > 0.99)
- User friendly touch screen display 4.3"
- Wide input voltage range and frequency
- Dual input
- Cold start
- Embedded back-feed protection
- Smart communication ports and SNMP management capability
- Parallel operation up to 6 units
- Built-in battery for standard autonomy (except Cat.Nos 3 111 00/02/04)
- Extended back-up time with battery cabinet (to be ordered separately)
- Overload & short circuit protection
- Powerful built-in charger
- RS232, GenSet, dry contacts
- Compact size, light weight & low noise
- Smallest footprint: 0.22m²
- Wheels for easy movement

Pack	Cat.Nos	UPS with battery			
		Nominal power (VA)	Active power (W)	Back-up time (min)	Weight (kg)
1	3 111 01	10000	9000	11	149
1	3 111 03	15000	13500	7	166
1	3 111 05	20000	18000	6	176

Pack	Cat.Nos	UPS without battery		
		Nominal power (VA)	Active power (W)	Weight (kg)
1	3 111 00	10000	9000	74
1	3 111 02	15000	13500	76
1	3 111 04	20000	18000	76

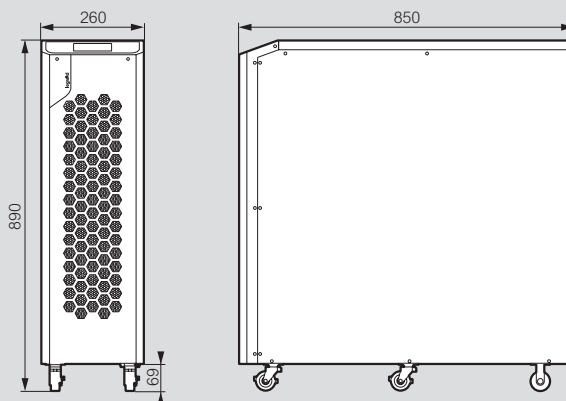
Pack	Cat.Nos	Battery cabinets
1	3 110 94	Keor Compact battery cabinet empty
1	3 110 95	Keor Compact battery cabinet 10 kVA
1	3 110 96	Keor Compact battery cabinet 15 kVA
1	3 110 97	Keor Compact battery cabinet 20 kVA

Pack	Cat.Nos	Accessories
1	3 110 98	Parallel kit
1	3 110 99	RS-485 MODBUS card
1	3 111 06	Dry contact card
1	3 110 86	Battery temperature probe

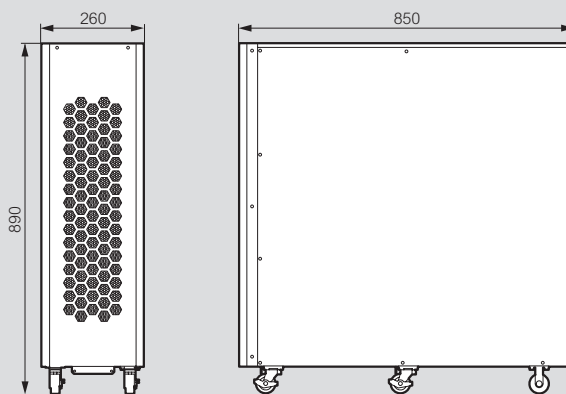
NOTE: The stated back-up times in minutes are estimated and may vary according to the load characteristics, operating conditions and environment

Dimensions (mm)

Keor Compact 10 - 15 - 20 kVA



Battery Cabinet



Long back-up time table

Power	UPS	Battery cabinet	Back-up time (min.)
10000 VA	3 111 01	1 x 3 110 95	50
10000 VA	3 111 01	2 x 3 110 95	87
10000 VA	3 111 01	3 x 3 110 95	126
15000 VA	3 111 03	1 x 3 110 96	40
15000 VA	3 111 03	2 x 3 110 96	67
15000 VA	3 111 03	3 x 3 110 96	99
20000 VA	3 111 05	1 x 3 110 97	28
20000 VA	3 111 05	2 x 3 110 97	57
20000 VA	3 111 05	3 x 3 110 97	81

NOTE: The stated back-up times in minutes are estimated and may vary according to the load characteristics, operating conditions and environment