

## X-light 180

indoor self-contained emergency lighting luminaire LED



## X-light 180

indoor self-contained emergency lighting luminaires



6 600 51



6 600 53

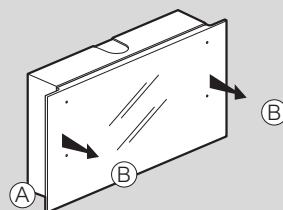
### Technical characteristics p. 910

LED non-maintained and maintained units  
 Certified to IEC and EN 60598-2-22 standards  
 Automatic terminals with capacity: 1 x 2.5 mm<sup>2</sup>  
 IP 42 - IK 07  
 Duration: 1, 2 and 3 hours. Ni-Cd or Ni-MH batteries  
 Charge monitor with a green LED. Opal diffuser  
 Power supply: 230 V $\sim$   $\pm$  10% - 50/60 Hz. Class II  $\square$   
 Surface-mounting on wall or ceiling and flush-mounting integration with  
 accessory Cat.No 6 601 95

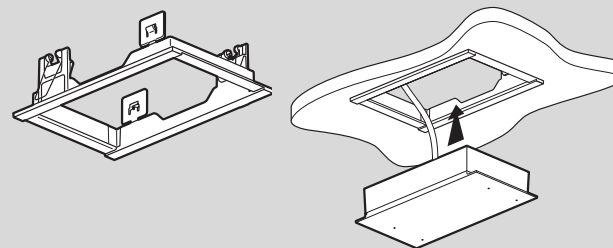
Pack	Cat.Nos	Standard luminaires
		Require normal lighting manual switching OFF in order test emergency lighting
		<b>Non-maintained</b>
1	6 600 51	70 lm - 1h (LEDs)
1	6 600 52	100 lm - 1h (LEDs)
1	6 600 53	100 lm - 1h (LEDs) supplied with labels
1	6 600 59	100 lm - 3h (LEDs)
1	6 600 60	100 lm - 3h (LEDs) supplied with labels
1	6 600 54	200 lm - 1h (LEDs)
1	6 600 57	200 lm - 2h (LEDs)
		<b>Maintained/Non-maintained (M/NM)</b>
		Can also operate in Non-maintained mode according to the wiring of normal lighting
1	6 600 71	70 lm - 1h (LEDs)
1	6 600 72	100 lm - 1h (LEDs)
1	6 600 79	100 lm - 3h (LEDs)
1	6 600 80	100 lm - 3h (LEDs) supplied with labels
1	6 600 74	200 lm - 1h (LEDs)
1	6 600 77	200 lm - 2h (LEDs)
1	6 600 75	350 lm - 1h (LEDs)
		<b>Autotest luminaires</b>
		Autotest luminaires incorporate an automatic self-testing system in order to check the emergency mode Tests result is visible on 2 signalling LEDs (green-OK and yellow-defective) Rest mode via non-polarised remote control Cat.Nos 0 039 00 or 0 039 01 (p. 914) (no wiring direction)
		<b>Non-maintained</b>
1	6 601 54	200 lm - 1h (LEDs)
1	6 601 57	200 lm - 2h (LEDs)
		<b>Maintained/Non-maintained (M/NM)</b>
		Can also operate in Non-maintained mode according to the wiring of normal lighting
1	6 601 52	100 lm - 1h (LEDs)
1	6 601 41	100 lm - 3h (LEDs)
1	6 601 40	160 lm - 1h (LEDs)
1	6 601 55	350 lm - 1h (LEDs)
		<b>Accessories</b>
1	6 601 91	<b>Weatherproof backbox</b> IP66 IK10
1	6 601 93	<b>Vertical signalling plate</b> Vertical transparent plate for evacuation signalling (must be completed with adhesive evacuation label)
1	6 601 95	<b>Flush-mounting frame</b> For ceiling flush-mounting

### Installation

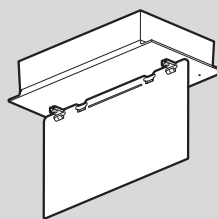
Surface-mounting



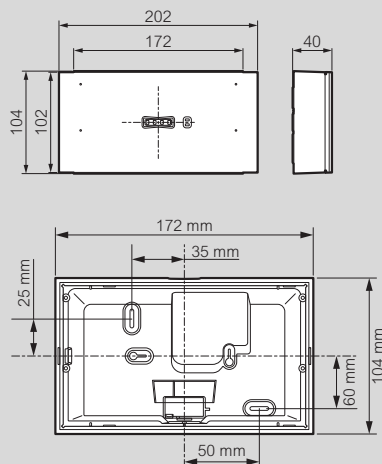
Flush-mounting with frame Cat.No 6 601 95



With vertical signalling plate Cat.No 6 601 93



### Dimensions (mm)



### Accessories

Weatherproof backbox

