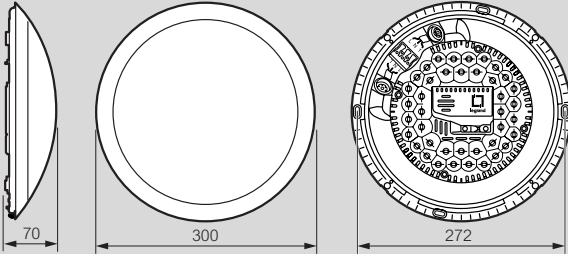


# Weatherproof bulkhead lights

## Weatherproof bulkhead lights IP 44 / IP 54

### IP 55 - IK 10 LED round decorative bulkheadlights - equipped

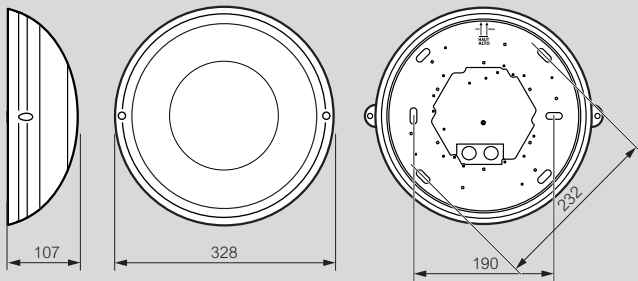
Chartres Essentiel Cat.Nos SL-532106/146



### IP 44 LED round decorative bulkhead lights-equipped

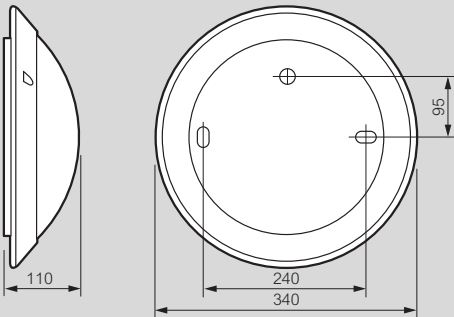
Astreo IK 07 Cat.Nos SL-532180/182/185/187

Astreo IK 09 Cat.Nos SL-532190/195

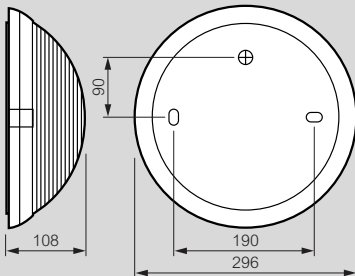


### IP 44/54 - IK 04 bulkhead lights - to be equipped

Chartres Origine IP 54 Cat.No SL-524270

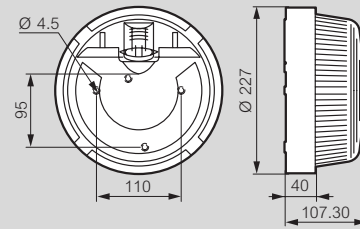


Super 400 IP 44 Cat.Nos SL-500270/570



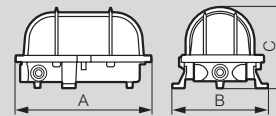
## Round - IP 44 - IK 07

Cat.Nos 0 604 51/59



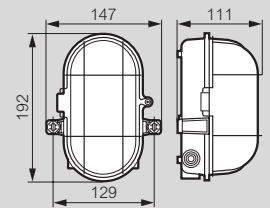
## Oval - IP 44 - IK 06

Cat.Nos 0 604 05/14/15/92



Cat.Nos	A	B	C
0 604 92	178	126	108
0 604 05	178	126	108
0 604 15	169	126	106
0 604 14	175	126	105

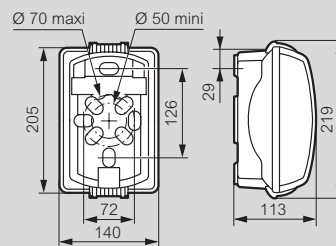
Cat.No 0 604 19



## Weatherproof bulkhead lights IP 54 / IP 55

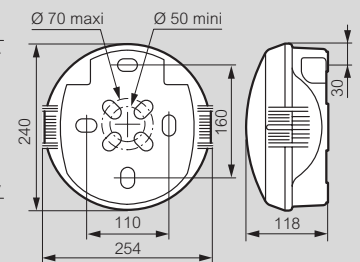
### Plexo rectangular - IP 54 - IK 08

Cat.Nos 0 624 00/02



### Koro round - IP 54 - IK 08

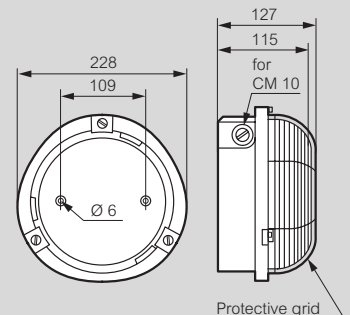
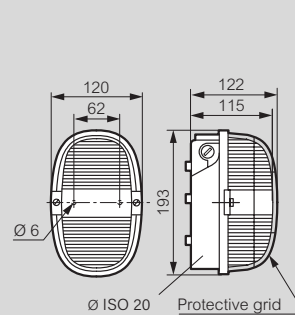
Cat.No 0 624 25



## For tough environment IP 55 / IK 04

Cat.Nos 0 604 77, 0 605 08

Cat.Nos 0 604 83, 0 605 09



## Vandal - resistant IP 55 - IK 09

Cat.No 0 624 15

