

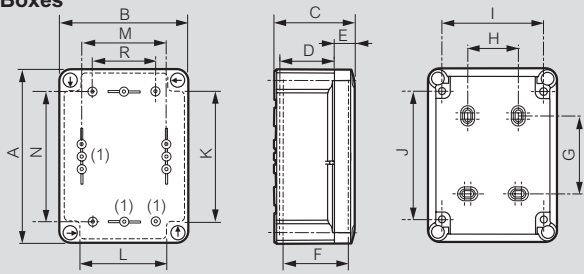
Plastic industrial boxes

Characteristics - IP 55 - IK 07 boxes

Box: - IP 55: polypropylene
 Cover: - opaque: polypropylene (except 0 359 80: polycarbonate)
 - transparent: polycarbonate
 Operating temperature: - 25 °C to + 40 °C
 Self-extinguishing: 750 °C (EN 60695-2-11)
 For indoor use

Dimensions

Boxes

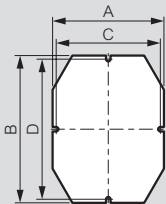


1: Fixing for accessories (rail, mounting plates)

Cat.Nos	Dimensions (mm)																Box fixing (mm)				Accessories fixing (Ø4 mm screw supplied)			
	A	B	C	D	E ²	E	F	G	H	I	J	K	L	M	N	R								
0 359 00	141	86	80	56	19	18	67	70	-	65	120	-	-	51	106	-								
0 359 30	150	150	81	56	20	18	68	54	70	120	103	87	103	106	106	84								
0 359 40	175	130	81	56	20	18	68	79	50	100	128	84	112	86	131	64								
0 359 50	200	160	94	69	20	18	81	104	50	130	153	137	113	116	156	94								
0 359 60/61	240	190	94	69	20	18	81	144	80	160	193	177	143	146	196	124								
0 359 70/71	290	190	94	69	20	18	81	194	80	160	243	227	143	146	246	122								
0 359 80	382	292	132	97	30	27	116	220	160	222	276	249	199	200	260	150								

2: With material thickness

Metal mounting plates



Cat.Nos	A	B	C	D
0 358 10	112	112	105.5	105.5
0 358 11	93	138	85.5	130.5
0 358 12	124	164	114	154
0 358 13	154	204	144	194
0 358 14	154	254	144	244
0 358 15	209	269	199	259

Maximum length of terminals

Box dimensions (mm)	Number of holes
130 x 130 x 74	8
155 x 110 x 74	13
180 x 140 x 86	13
220 x 170 x 86	22
310 x 240 x 124	28

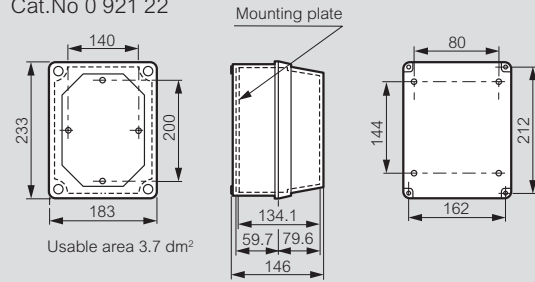
Characteristics - IP 55 - increased depth boxes

Operating temperature: - 20 °C to + 50 °C
 Self-extinguishing: 960 °C (EN 60695-2-11)
 For indoor use

Dimensions

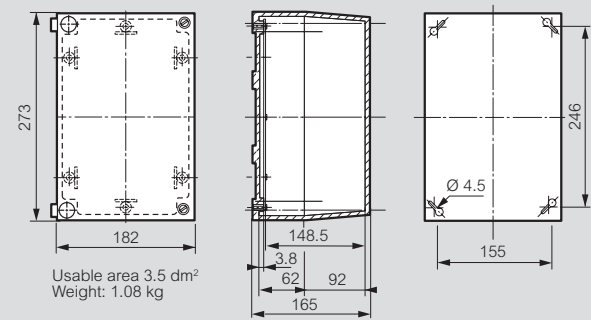
Boxes

Cat.No 0 921 22



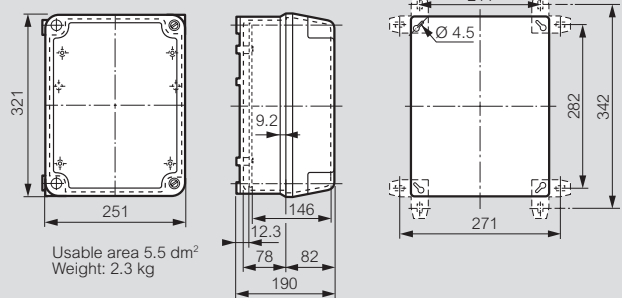
Usable area 3.7 dm²

Cat.No 0 350 43



Usable area 3.5 dm²
 Weight: 1.08 kg

Cat.No 0 922 84



Usable area 5.5 dm²
 Weight: 2.3 kg