

P 17 Tempra Pro IP 44 - LV 16 and 32 A

Characteristics

Terminal connection:

- Panel and surface mounting sockets

16 A: max. 1 x 4 mm² rigid

32 A: max. 1 x 10 mm² rigid

- Appliance inlets:

16 A: max. 1 x 2.5 mm² rigid

32 A: max. 1 x 6 mm² rigid

- Plugs and mobile sockets:

16 A: max. 1 x 2.5 mm² flexible

32 A: max. 1 x 6 mm² flexible

IP 44 according to IEC and EN 60529

IK 08 according to EN 50102 for interlocked switched sockets with small flange

IK 09 according to IEC 62262 and EN 62262

Material: polyamide 6

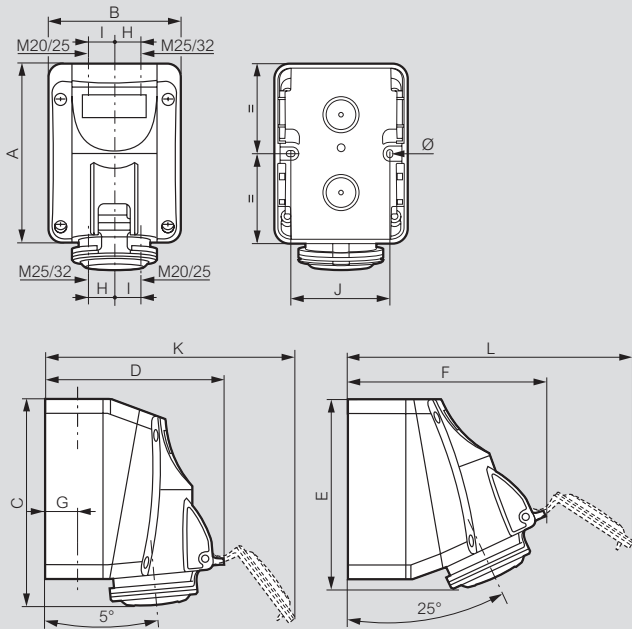
Self-extinguishing: 850 °C (support of active parts) / 650 °C (plastic housing)

- 25 °C to + 40 °C according to IEC 60309-1

Dimensions

Surface mounting sockets

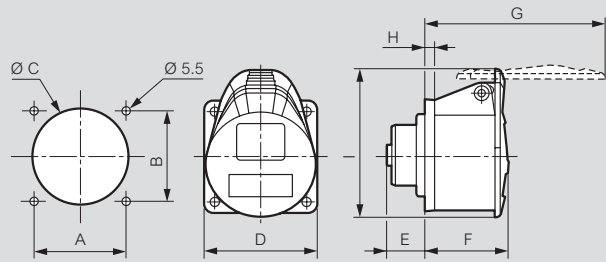
Cat.Nos 5 551 54/55/56/57/58/59 and 5 552 54/55/56/57/58/59



	A	B	C	D	E	F	G	H	I	J	K	L	Ø
LV 16 A													
2P+E	125	93	147	126	138	139	22	17	20	70	176	195	4.3
3P+E	125	93	147	134	138	147	22	17	20	70	190	210	4.3
3P+N+E	125	93	147	140	138	153	22	17	20	70	201	221	4.3
LV 32 A													
2P+E	150	113	174	156	163	172	28	22	26	90	220	245	4.3
3P+E	150	113	174	156	163	172	28	22	26	90	220	245	4.3
3P+N+E	150	113	174	162	163	177	28	22	26	90	230	256	4.3

Panel mounting socket straight outlet small flange

Cat.Nos 0 573 54/58/59 and 0 580 54/58/59



	Weight (kg)	A	B	Ø C	D	E	F	G	H	I	Ø
LV 16 A											
2P+E	0.105	47	47	47	58	22.4	50	98.5	5.5	78.5	5.5
3P+E	0.127	52	52	55	65	22.4	50.5	104	5.5	85.6	5.5
3P+N+E	0.148	52	52	55	70	22.4	51	113	5.5	93.5	5.5
LV 32 A											
2P+E	0.197	60	60	57.1	75	31.4	61.3	127	5.5	97.5	5.5
3P+E	0.197	60	60	57.1	75	31.4	61.3	127	5.5	97.5	5.5
3P+N+E	0.246	60	60	63.5	77	31.4	61.7	134	5.5	104.5	5.5