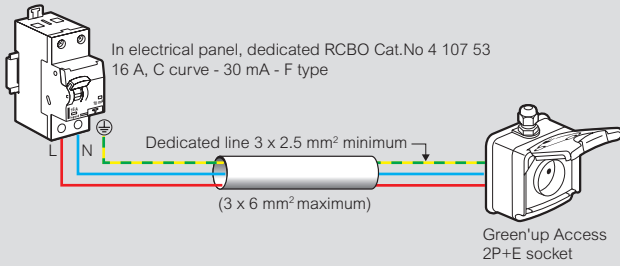


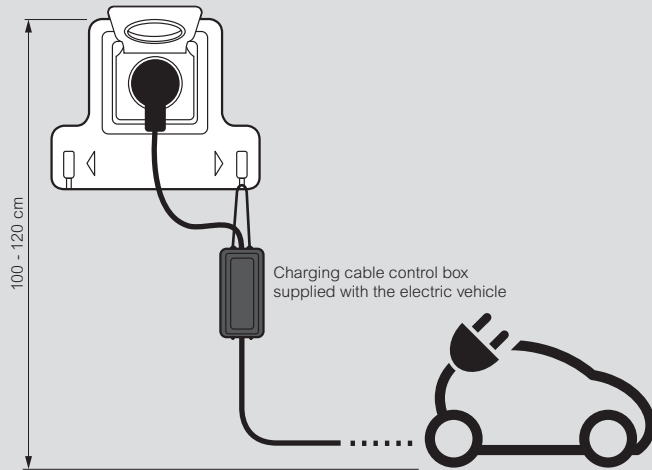
Green'up™ Access sockets

Installation principle for an individual Mode 2 socket



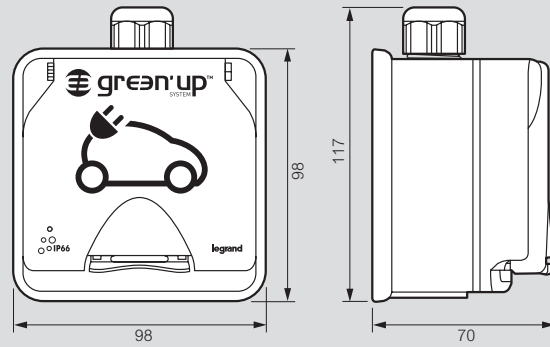
- Can be controlled by clock/switch type control units, etc. (to be ordered separately)
- Use of a surge protective device is recommended

Use of bracket Cat.No 0 904 78 (supplied with the kit Cat.No 0 904 70)

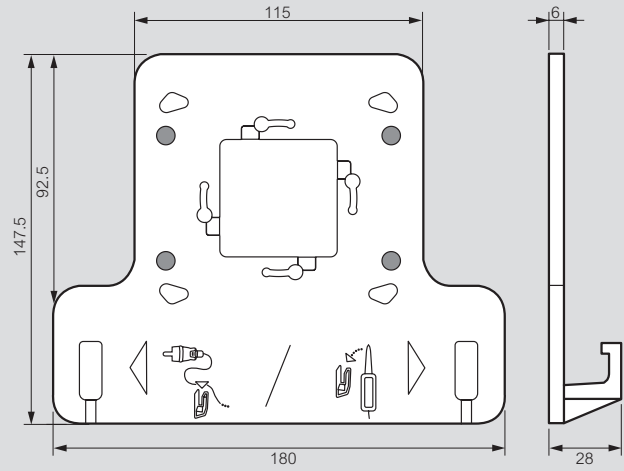


Dimensions

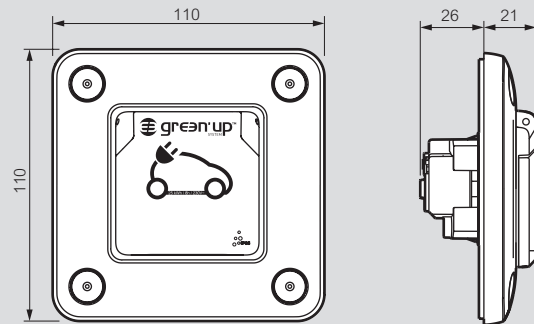
Cat.No 0 904 72



Cat.No 0 904 78 (supplied with the kit Cat.No 0 904 70)



Cat.No 0 778 56



Cat.No 0 778 57

