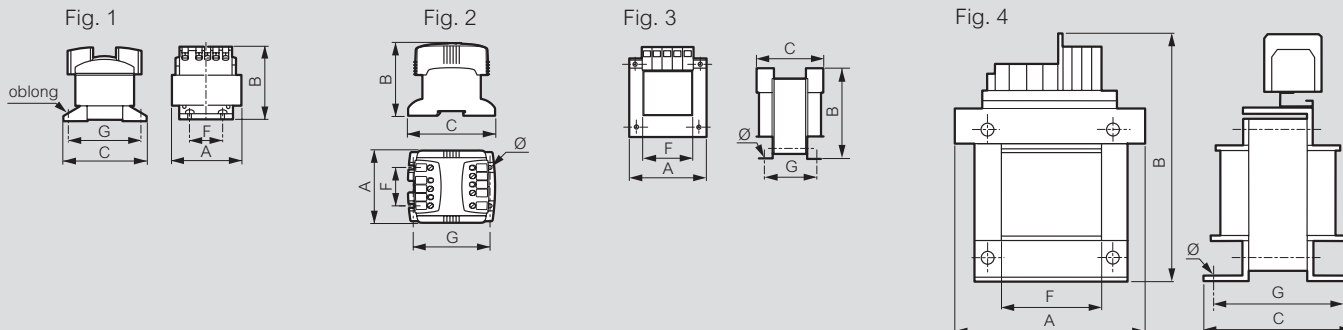


Equipment transformers

single-phase

Characteristics

- Insulation voltage:
- between windings: 4 470 V
 - between primary and earth: 2 240 V
 - between secondary and earth: 250 V for 12, 24 and 48 V and 1780 V for 115 and 230 V



| Cat.Nos | Power (VA) | AIO (V) cos φ 0.5 | Fig. | Dimensions (mm) | | | Fixing (mm) | | | Weight (kg) | No load loss (W) | Total losses at 100% load (W) | Voltage drop (%) | | Efficiency (%) | | Ucc (%) | Connection PRI | | Connection SEC | | | |
|--|------------|-------------------|------|-----------------|-----|-----|-------------|-----|-----|-------------|------------------|-------------------------------|------------------|------------|----------------|------------|---------|----------------|-----------|----------------|----------|-----------|------------|
| | | | | A | B | C | F | G | Ø | | | | cos φ 1 | cos φ 0.45 | cos φ 1 | cos φ 0.45 | | flexible | rigid | lug Ø (mm) | flexible | rigid | lug Ø (mm) |
| | | | | | | | | | | | | | | | | | | | | | | | |
| Single-phase safety transformers: Primary 230-400 V - Sec 12-24 V | | | | | | | | | | | | | | | | | | | | | | | |
| 0 428 40 | 40 | 55 | 1 | 84 | 70 | 98 | 40 | 86 | 4.5 | 0.9 | 3.7 | 13.3 | 18.3 | 12.7 | 0.75 | 0.58 | 15.6 | 1 to 4 | 1 to 4 | 4.5 | 1 to 4 | 1 to 4 | 4.5 |
| 0 428 41 | 63 | 91 | 1 | 84 | 77 | 98 | 40 | 86 | 4.5 | 1.3 | 4.9 | 16.7 | 13.5 | 10.2 | 0.8 | 0.64 | 11.8 | 1 to 4 | 1 to 4 | 4.5 | 1 to 4 | 1 to 4 | 4.5 |
| 0 428 42 | 100 | 140 | 1 | 84 | 86 | 98 | 40 | 86 | 4.5 | 1.6 | 6.2 | 21.0 | 10.5 | 8.7 | 0.83 | 0.68 | 9.5 | 1 to 4 | 1 to 4 | 4.5 | 1 to 4 | 1 to 4 | 4.5 |
| 0 428 43 | 160 | 205 | 1 | 84 | 104 | 98 | 40 | 86 | 4.5 | 2.4 | 9.1 | 32.8 | 8.8 | 7.4 | 0.83 | 0.69 | 7.9 | 1 to 4 | 1 to 4 | 4.5 | 1 to 4 | 1 to 4 | 4.5 |
| 0 428 44 | 220 | 290 | 1 | 96 | 115 | 110 | 40 | 98 | 4.5 | 3.4 | 12.6 | 38.8 | 6.9 | 6.3 | 0.85 | 0.71 | 6.5 | 1 to 4 | 1 to 4 | 4.5 | 1 to 4 | 1 to 4 | 4.5 |
| 0 428 45 | 310 | 345 | 2 | 106 | 123 | 115 | 50 | 100 | 5.2 | 3.8 | 14.2 | 54.9 | 7.3 | 6.2 | 0.85 | 0.72 | 8.2 | 1 to 4 | 1 to 4 | 4.5 | 1 to 4 | 1 to 4 | 4.5 |
| 0 428 46 | 450 | 1000 | 3 | 126 | 126 | 126 | 90 | 94 | 6.5 | 6 | 21.8 | 61.4 | 6.0 | 3.2 | 0.88 | 0.76 | 4.9 | 1 to 4 | 1 to 4 | 4.5 | 1 to 16 | 1 to 25 | 6.5 |
| 0 428 47 | 630 | 1520 | 3 | 126 | 126 | 141 | 90 | 105 | 6.5 | 8 | 25.5 | 62.4 | 4.3 | 2.6 | 0.91 | 0.82 | 3.5 | 1 to 4 | 1 to 4 | 4.5 | 1 to 16 | 1 to 25 | 6.5 |
| 0 428 49 | 1000 | 2900 | 4 | 220 | 222 | 170 | 122 | 140 | 7 | 14.7 | 43.3 | 75.3 | 2.9 | 1.8 | 0.93 | 0.86 | 2.4 | 0.25 to 6 | 0.5 to 10 | - | 4 to 35 | 2.5 to 50 | - |
| Single-phase safety transformers: Primary 230-400 V - Sec 24 V | | | | | | | | | | | | | | | | | | | | | | | |
| 0 428 55 | 40 | 55 | 1 | 84 | 70 | 98 | 40 | 86 | 4.5 | 0.9 | 3.7 | 13.3 | 18.3 | 12.7 | 0.75 | 0.58 | 15.6 | 1 to 4 | 1 to 4 | 4.5 | 1 to 4 | 1 to 4 | 4.5 |
| 0 428 56 | 63 | 91 | 1 | 84 | 77 | 98 | 40 | 86 | 4.5 | 1.3 | 4.9 | 16.7 | 13.5 | 10.2 | 0.8 | 0.64 | 11.8 | 1 to 4 | 1 to 4 | 4.5 | 1 to 4 | 1 to 4 | 4.5 |
| 0 428 57 | 100 | 140 | 1 | 84 | 86 | 98 | 40 | 86 | 4.5 | 1.6 | 6.2 | 21.0 | 10.5 | 8.7 | 0.83 | 0.68 | 9.5 | 1 to 4 | 1 to 4 | 4.5 | 1 to 4 | 1 to 4 | 4.5 |
| 0 428 58 | 160 | 205 | 1 | 84 | 104 | 98 | 40 | 86 | 4.5 | 2.4 | 9.1 | 31.8 | 8.8 | 7.4 | 0.83 | 0.69 | 7.9 | 1 to 4 | 1 to 4 | 4.5 | 1 to 4 | 1 to 4 | 4.5 |
| 0 428 59 | 220 | 290 | 1 | 96 | 115 | 110 | 40 | 98 | 4.5 | 3.4 | 12.6 | 40.0 | 6.9 | 6.3 | 0.85 | 0.71 | 6.5 | 1 to 4 | 1 to 4 | 4.5 | 1 to 4 | 1 to 4 | 4.5 |
| 0 428 60 | 310 | 345 | 2 | 106 | 123 | 115 | 50 | 100 | 5.2 | 3.8 | 14.2 | 54.9 | 7.3 | 6.2 | 0.85 | 0.72 | 8.2 | 1 to 4 | 1 to 4 | 4.5 | 1 to 4 | 1 to 4 | 4.5 |
| 0 428 61 | 450 | 708 | 2 | 120 | 140 | 140 | 62.5 | 125 | 5.2 | 5.6 | 18.4 | 46.0 | 6.2 | 5.4 | 0.92 | 0.84 | 4.6 | 1 to 4 | 1 to 4 | 4.5 | 1 to 4 | 1 to 4 | 4.5 |
| 0 428 62 | 630 | 1520 | 3 | 126 | 126 | 141 | 90 | 105 | 6.5 | 8 | 25.5 | 62.4 | 4.3 | 2.6 | 0.91 | 0.82 | 3.5 | 1 to 4 | 1 to 4 | 4.5 | 1 to 16 | 1 to 25 | 6.5 |
| Single-phase safety transformers: Primary 230-400 V - Sec 24-48 V | | | | | | | | | | | | | | | | | | | | | | | |
| 0 428 70 | 40 | 55 | 1 | 84 | 77 | 98 | 40 | 86 | 4.5 | 1.3 | 3.9 | 7.7 | 6.3 | 6.5 | 0.83 | 0.71 | 6.1 | 1 to 4 | 1 to 4 | 4.5 | 1 to 4 | 1 to 4 | 4.5 |
| 0 428 71 | 63 | 91 | 1 | 84 | 86 | 98 | 40 | 86 | 4.5 | 1.6 | 5.2 | 11.7 | 7.7 | 6.9 | 0.83 | 0.72 | 6.9 | 1 to 4 | 1 to 4 | 4.5 | 1 to 4 | 1 to 4 | 4.5 |
| 0 428 72 | 100 | 150 | 1 | 84 | 104 | 98 | 40 | 86 | 4.5 | 2.4 | 7.9 | 14.2 | 4.1 | 4.5 | 0.87 | 0.76 | 4.6 | 1 to 4 | 1 to 4 | 4.5 | 1 to 4 | 1 to 4 | 4.5 |
| 0 428 73 | 160 | 160 | 1 | 84 | 104 | 98 | 40 | 86 | 4.5 | 2.4 | 7.9 | 21.2 | 7.3 | 7.6 | 0.87 | 0.77 | 7.4 | 1 to 4 | 1 to 4 | 4.5 | 1 to 4 | 1 to 4 | 4.5 |
| 0 428 74 | 220 | 290 | 1 | 96 | 115 | 110 | 40 | 98 | 4.5 | 3.4 | 10.7 | 24.0 | 5.5 | 6.7 | 0.90 | 0.78 | 6.3 | 1 to 4 | 1 to 4 | 4.5 | 1 to 4 | 1 to 4 | 4.5 |
| 0 428 75 | 310 | 345 | 2 | 106 | 123 | 115 | 50 | 100 | 5.2 | 3.8 | 12.0 | 34.5 | 6.4 | 8.4 | 0.89 | 0.77 | 8.2 | 1 to 4 | 1 to 4 | 4.5 | 1 to 4 | 1 to 4 | 4.5 |
| 0 428 76 | 450 | 708 | 2 | 120 | 140 | 140 | 62.5 | 125 | 5.2 | 5.6 | 18.4 | 46.0 | 6.2 | 5.7 | 0.92 | 0.84 | 4.6 | 1 to 4 | 1 to 4 | 4.5 | 1 to 4 | 1 to 4 | 4.5 |
| 0 428 77 | 630 | 1520 | 3 | 126 | 126 | 141 | 90 | 105 | 6.5 | 8 | 25.5 | 64.3 | 4.2 | 2.6 | 0.91 | 0.82 | 3.5 | 1 to 4 | 1 to 4 | 4.5 | 1 to 16 | 1 to 25 | 6.5 |
| Single-phase circuits isolation transformers: Primary 230-240 V - Sec 115-230 V | | | | | | | | | | | | | | | | | | | | | | | |
| 0 427 85 | 40 | 55 | 1 | 84 | 70 | 98 | 40 | 86 | 4.5 | 1 | 3.7 | 10.9 | 15.6 | 12.6 | 0.8 | 0.6 | 14.2 | 1 to 4 | 1 to 4 | 4.5 | 1 to 4 | 1 to 4 | 4.5 |
| 0 427 86 | 63 | 91 | 1 | 84 | 77 | 98 | 40 | 86 | 4.5 | 1.3 | 4.9 | 15.6 | 12.5 | 9.7 | 0.8 | 0.65 | 11.0 | 1 to 4 | 1 to 4 | 4.5 | 1 to 4 | 1 to 4 | 4.5 |
| 0 427 87 | 100 | 140 | 1 | 84 | 86 | 98 | 40 | 86 | 4.5 | 1.6 | 6.2 | 21.1 | 10.7 | 8.9 | 0.8 | 0.7 | 9.7 | 1 to 4 | 1 to 4 | 4.5 | 1 to 4 | 1 to 4 | 4.5 |
| 0 427 88 | 160 | 205 | 1 | 84 | 104 | 98 | 40 | 86 | 4.5 | 2.4 | 9.1 | 32.3 | 8.8 | 7.3 | 0.8 | 0.7 | 7.9 | 1 to 4 | 1 to 4 | 4.5 | 1 to 4 | 1 to 4 | 4.5 |
| 0 427 89 | 220 | 290 | 1 | 96 | 115 | 110 | 40 | 98 | 4.5 | 3.4 | 12.6 | 40.1 | 6.8 | 6.2 | 0.85 | 0.7 | 6.4 | 1 to 4 | 1 to 4 | 4.5 | 1 to 4 | 1 to 4 | 4.5 |
| 0 427 90 | 310 | 345 | 2 | 106 | 123 | 115 | 50 | 100 | 5.2 | 3.8 | 14.2 | 54.0 | 7.3 | 6.2 | 0.85 | 0.7 | 8.2 | 1 to 4 | 1 to 4 | 4.5 | 1 to 4 | 1 to 4 | 4.5 |
| 0 427 91 | 450 | 708 | 2 | 120 | 140 | 140 | 62.5 | 125 | 5.2 | 5.6 | 18.4 | 64.0 | 5.9 | 5.1 | 0.9 | 0.8 | 4.3 | 1 to 4 | 1 to 4 | 4.5 | 1 to 4 | 1 to 4 | 4.5 |
| 0 427 92 | 630 | 1520 | 3 | 126 | 126 | 123 | 90 | 105 | 6.5 | 7.8 | 25.5 | 64.6 | 4.3 | 2.6 | 0.9 | 0.8 | 3.5 | 1 to 4 | 1 to 4 | 4.5 | 1 to 4 | 1 to 4 | 4.5 |