

Control, safety and circuit isolation transformers

single-phase

Dimensions

Fig. 1: 40 to 400 V~

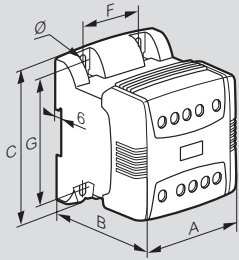


Fig. 2: 630-1000 V~

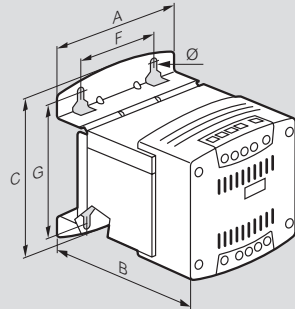


Fig. 3: 1600-2500 V~

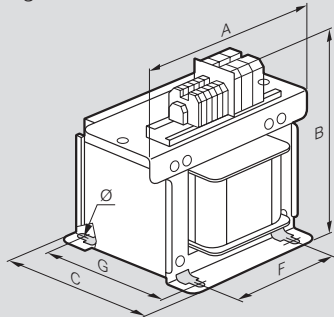
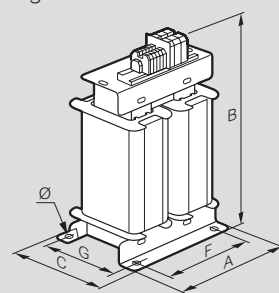


Fig. 4: 4000 to 8000 V~



Cat.Nos	Power (V~)	Fig.	Dimensions (mm)			Fixing ⁽¹⁾			Weight (Kg)
			A	B	C	F	G	Ø	
0 442 01/51	40	1	95	94	113	50	100	5.2	1.45
0 442 02/52	63	1	95	101	113	50	100	5.2	1.75
0 442 03/53	100	1	95	111	113	50	100	5.2	2.15
0 442 04/54	160	1	95	128	113	50	100	5.2	2.35
0 442 05/55	250	1	107	139	115	50	100	5.2	4
0 442 06/56	400	1	121	156	140	62.5	125	5.2	5.8
0 442 11/31/41/61/81	40	1	94	78	113	50	100	5.2	1.23
0 442 12/32/42/62/82	63	1	94	85	113	50	100	5.2	1.56
0 442 13/33/43/63/83	100	1	94	94	113	50	100	5.2	1.95
0 442 14/34/44/64/84	160	1	94	112	113	50	100	5.2	2.6
0 442 15/35/45/65/85	250	1	106	123	115	50	100	5.2	3.82
0 442 16/36/46/66/86	400	1	120	140	140	62.5	125	5.2	5.62
0 442 17/37/47/67/87	630	2	132	155	175	75	150	5.5	8
0 442 18/38/48/68/88	1000	2	150	199	206	100	175	7	14.9
0 442 39/49/69/89	1600	3	200	245	195	150	160	9	25.6
0 442 40/50/70/90	2500	3	260	292	171	200	120	9	33.1
0 442 71/91	4000	4	230	340	170	180	130	11	31
0 442 72	5000	4	240	390	170	180	130	11	40
0 442 73	6300	4	240	390	170	180	130	11	45
0 442 74	8000	4	240	390	220	180	140	11	64

1: Direct fixing possibility on symmetrical rail up to 250 V~

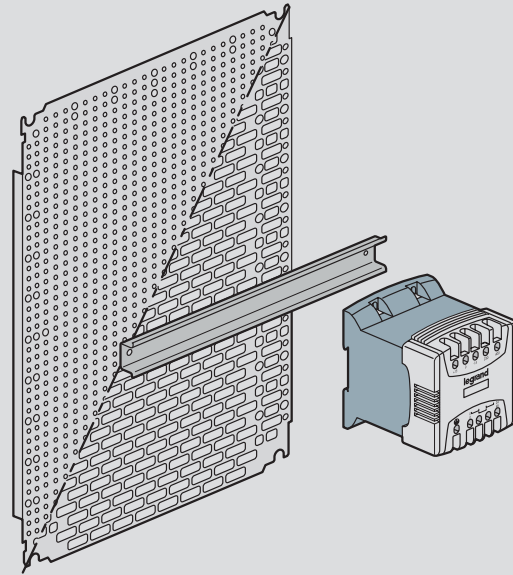
Associated protection

Nominal power (V~) acc. to IEC and CSA	24 V		48 V		115 V		230 V	
	Rating	MCBs Cat.Nos	Rating	MCBs Cat.Nos	Rating	MCBs Cat.Nos	Rating	MCBs Cat.Nos
40	2	T2AL ⁽¹⁾	1	T1AL ⁽¹⁾	0.4	T0.4AL ⁽¹⁾	0.2	T0.2AL ⁽¹⁾
63	3.15	T3.15AL ⁽¹⁾	1.6	T1.6AL ⁽¹⁾	0.63	T0.63AL ⁽¹⁾	0.315	T0.315AL ⁽¹⁾
100	4	4 076 95	2	4 076 93	1	4 076 92	0.5	4 076 91
160	8	4 076 97	4	4 076 95	2	4 076 93	1	4 076 92
250	10	4 076 98	6	4 076 96	2	4 076 93	1	4 076 92
400	16	4 077 00	8	4 076 97	4	4 076 95	2	4 076 93
630	25	4 077 02	13	4 076 99	6	4 076 96	3	4 076 94
1000	40	4 077 04	20	4 077 01	8	4 076 97	4	4 076 95
1600	63	4 077 90	32	4 077 03	13	4 076 99	8	4 076 97
2500	100	4 092 29	50	4 077 89	20	4 077 01	10	4 076 98
4000					32	4 077 03	16	4 077 00
5000					40	4 077 04	20	4 077 01
6300					50	4 077 89	25	4 077 02
8000					63	4 077 90	32	4 077 03

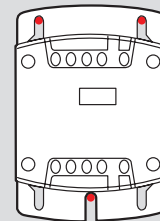
1: Fuse IEC 127 (5x20 T type cartridge fuse) - T: Time - lag fuse - L: Low breaking capacity

Fixing

On perforated plates Lina 25 and on Lina 12.5 plates
On symmetrical rail up to 250 V~
fixing centres pitch 25 mm up to 1000 V~



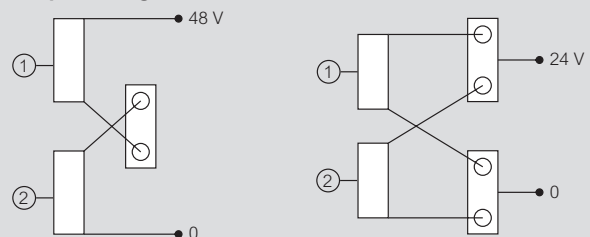
Attachment at 3 points possible with through oblong on the secondary side



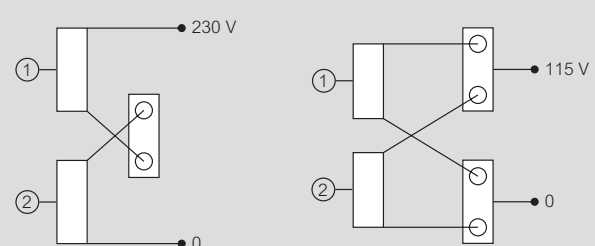
Adjustment of the output voltage on double output voltage range

Assembly of insulating coupling strip

Output voltage 24-48V



Output voltage 115-230V



①: wiring 1
②: wiring 2