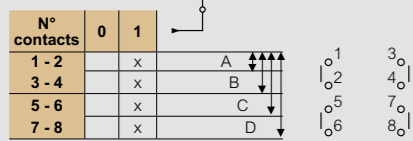


Cam switches (continued)

Cam switches screw fixing on door

Diagram - Terminals

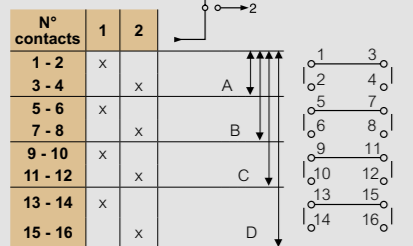
On/off switch



	PR 12	PR 17	PR 21
A	0 277 10	-	-
B	0 277 11	0 277 16	0 277 21
C	0 277 12	0 277 17	0 277 22
D	0 277 13	0 277 18	0 277 23

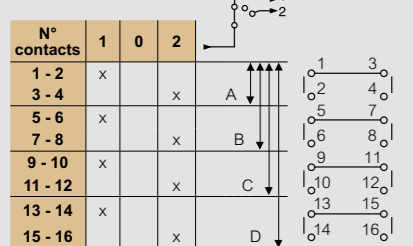
Changeover switch

•Without "off"



	PR 12	PR 17	PR 21	PR 26	PR 40	PR 63
C	0 277 55	-	-	-	-	-
D	0 277 56	0 277 58	0 277 60	0 277 62	0 277 64	0 277 66

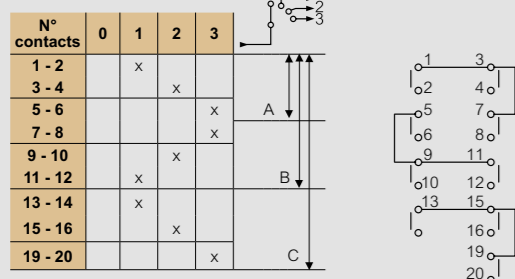
•With "off"



	PR 12	PR 17	PR 21	PR 26	PR 40	PR 63
A	0 277 25	-	-	-	-	-
B	0 277 26	0 277 31	0 277 36	0 277 41	0 277 46	0 277 51
C	0 277 27	0 277 32	0 277 37	0 277 42	0 277 47	0 277 52
D	0 277 28	0 277 33	0 277 38	0 277 43	0 277 48	0 277 53

3-way switch

•With "off"

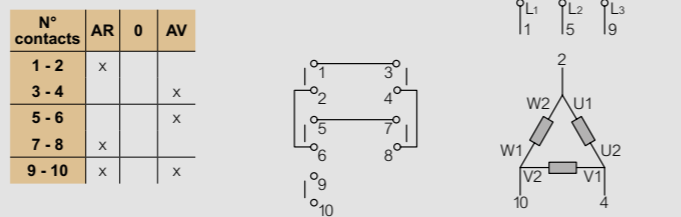


	PR 12
A	0 277 67/68
B	0 277 69

Diagram - terminals (continued)

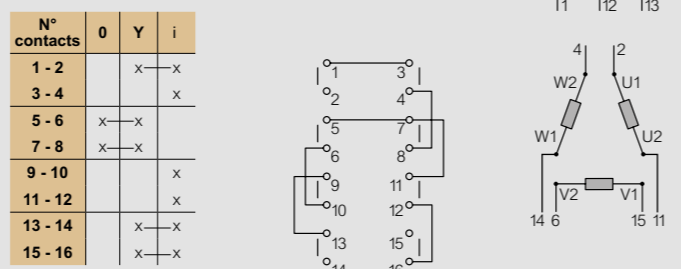
3-phase motor switch

•Forward/reverse switch 1 speed



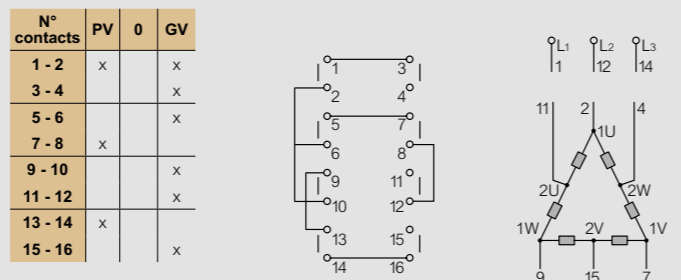
	PR 12	PR 17	PR 21	PR 26	PR 40	PR 63
Boxes	0 277 70	0 277 75	0 277 78	0 277 81	0 277 84	-

•Starter 1 way - 1 speed



	PR 12	PR 17	PR 21	PR 26	PR 40	PR 63
Boxes	0 277 71	0 277 76	0 277 79	0 277 82	0 277 85	-

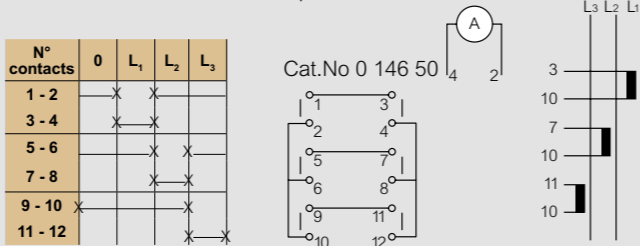
•Starter 1 way - 2 speed Dahlander  
2 possible configurations: 0 - PV - GV  
PV - 0 - GV



	PR 12	PR 17	PR 21	PR 26	PR 40
Boxes 0 - PV - GV	0 277 72	0 277 77	0 277 80	0 277 83	-
PV - 0 - GV	0 277 73	-	-	-	-

Selective measurement switches

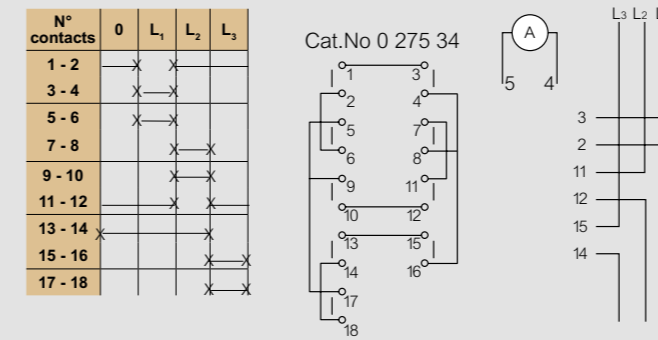
•Ammeter 3 C.T. with common point



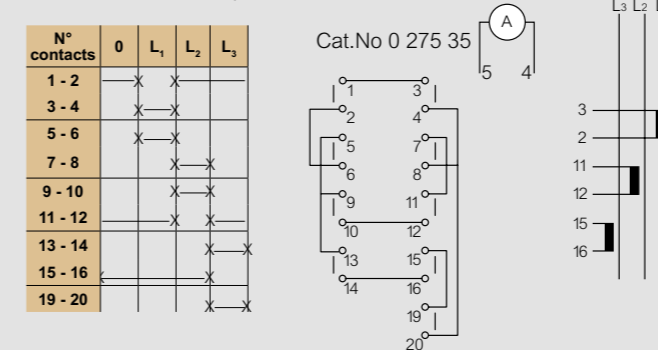
N° contacts	0	L <sub>1</sub>	L <sub>2</sub>	L <sub>3</sub>
1 - 2	x	x	x	x
3 - 4	x	x	x	x
5 - 6	x	x	x	x
7 - 8	x	x	x	x
9 - 10	x	x	x	x
11 - 12	x	x	x	x

Selective measurement switches (continued)

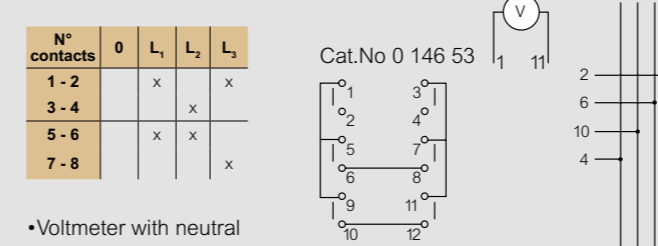
•Ammeter without C.T.



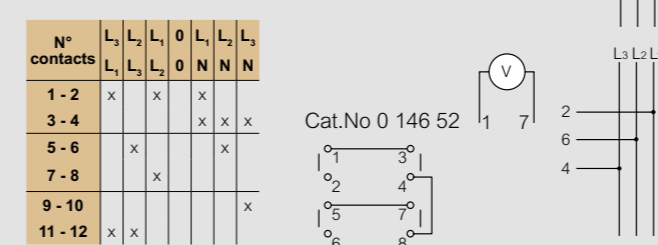
•Ammeter with 3 independent C.T.



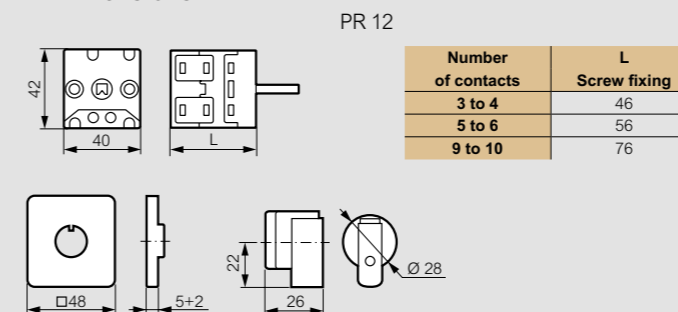
•Voltmeter without neutral



•Voltmeter with neutral



Dimensions



0 275 35

For selecting and changing the status of the circuits into which it is integrated  
For viewing the state of equipment according to the position of the selector lever  
Mounting on enclosure doors  
Contacts with positive opening and double breaking of poles  
Presentation: grey/black selector lever - aluminium faceplate with marking  
Conform to standards IEC EN 60947-3  
Approved to UL-CSA (USA - Canada)  
IP 40 at front of enclosure (selector lever)  
IP 2X at back of enclosure up to PR 26

Pack	Cat.Nos	Function: selective measurement switches
		<b>Ammeters</b>
		1 network, 3-wire, 1 ammeter
		Range Max. rating AC 21 (A) Position Number of contacts Function
1	0 146 50	PR 12 16 6 3 C.T. with common point without C.T.
1	0 275 34	PR 12 16 9 3 independent C.T.
1	0 275 35	PR 12 16 9 3 independent C.T.
		<b>Voltmeters</b>
		3-phase network, 1 voltmeter
		Range Max. rating AC 21 (A) Position Number of contacts Function
1	0 146 52	PR 12 16 4 without neutral
1	0 146 53	PR 12 16 6 with neutral