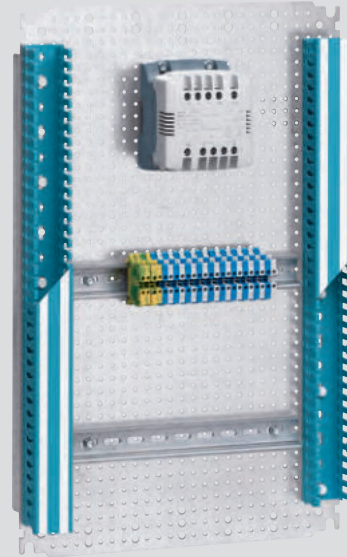
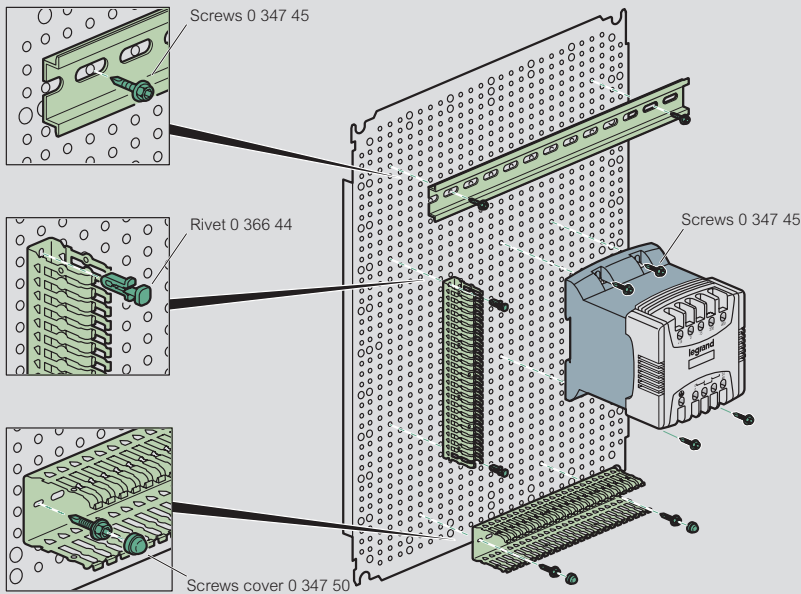


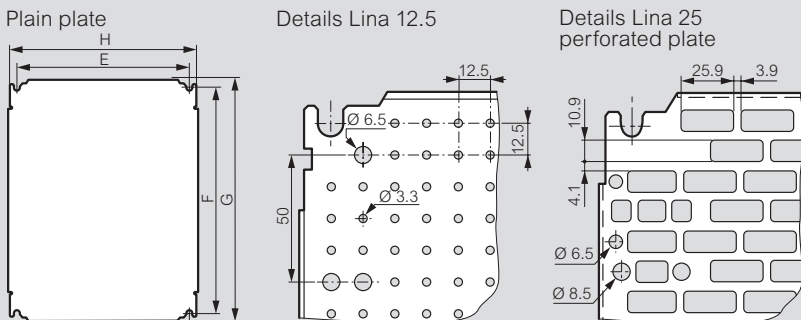
Atlantic, Atlantic stainless steel and Marina cabinets: plain plates and perforated plates



Fixing example on Lina 12.5 plate:
 - of a transformer with screws Cat.No 0 347 45
 - of a rail
 - of Lina 25 cable ducting (p. 480)

Dimensions

Lina 12.5 plain plates and Lina 25 perforated plates



Cabinets dimensions Height x Width (mm)	Dimensions of plates Plain / Lina 12.5 / 25 plates		Usable space for equipment (dm ²)	Mounting of plates	
	G (mm)	H (mm)		F (mm)	E (mm)
300 x 200	256	156	4.2	225	125
300 x 220	275	192	5.3	263	163
300 x 300	256	256	6.2	225	225
300 x 400 ⁽¹⁾	256	356	8.2	225	325
400 x 300 ⁽¹⁾	356	256	8.2	325	225
400 x 400	356	356	11.7	325	325
400 x 600 ⁽¹⁾	356	556	18.7	325	525
500 x 400	456	356	15.2	425	325
500 x 500	456	456	19.2	425	425
600 x 400 ⁽¹⁾	556	356	18.7	525	325
600 x 500	556	456	25.3	525	425
600 x 600	556	556	29.7	525	525
600 x 800 ⁽¹⁾	556	756	40.7	525	725
600 x 1000 ⁽¹⁾	556	956	51.7	525	925
700 x 500	656	456	28.7	625	425
800 x 600 ⁽¹⁾	756	556	40.7	725	525
800 x 800	756	756	55.7	725	725
800 x 1000 ⁽¹⁾	756	956	71.7	725	925
1000 x 600 ⁽¹⁾	956	556	51.7	925	525
1000 x 800 ⁽¹⁾	956	756	70.7	925	725
1000 x 1200 ⁽¹⁾	956	1156	108.7	925	1125
1200 x 600	1156	556	64.2	1125	525
1200 x 800	1156	756	85.7	1125	725
1400 x 800	1356	756	100.7	1325	725

1: For horizontal or vertical mounting