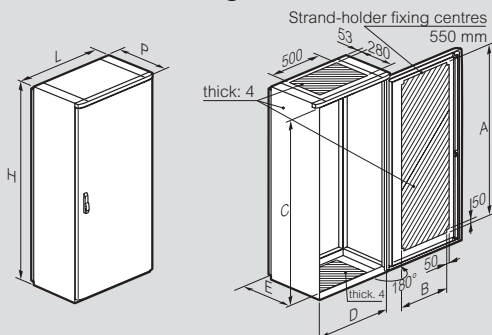


Marina cabinets and enclosures

polyester - IP 66 - IK 10 (continued)

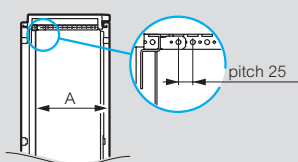
Dimensions, weights and usable areas of enclosures



Cat.Nos	Dimensions H x W x D (mm)	Weight (kg)	Usable areas (mm)				E ⁽²⁾
			A	B	C	D	
0 362 85	1460 x 800 x 463 ⁽¹⁾	49	1230	530	1300	700	380
0 362 86	1660 x 800 x 463 ⁽¹⁾	53	1430	530	1500	700	380
0 362 87	1860 x 800 x 463 ⁽¹⁾	57	1630	530	1700	700	380

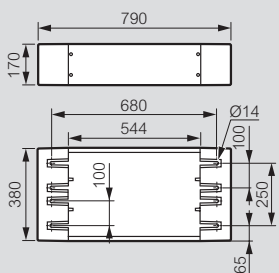
1: 487 with handle
2: Usable depth

Adjustment of equipment in enclosures

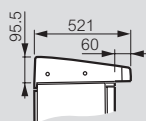


Plain plate (mm)		Partial plate (mm)		Chassis with rail (mm)	
A max	A min	A max	A min	A max	A min
379	109	359	84	372	97

Plinth Cat.No 0 362 96



Roof Cat.No 0 362 97



Plates

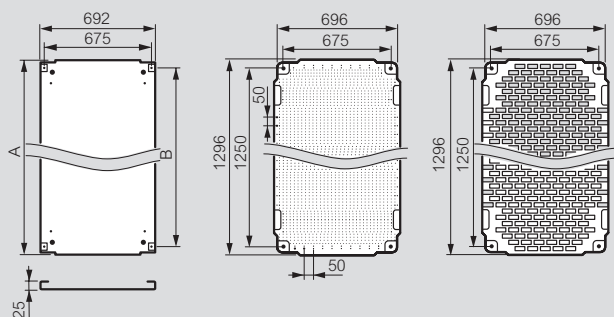
Choice of plates

Plates	Enclosures H. 1400 mm	Enclosures H. 1600 mm	Enclosures H. 1800 mm
Plain	0 349 59	0 349 50	0 344 18
Lina 12,5	0 346 08	2 x 0 481 40 + uprights 0 363 91	0 481 43 + 0 481 40 + uprights 0 363 92
Lina 25 perforated	0 346 09	2 x 0 474 90 + uprights 0 363 91	0 474 90 + 0 474 95 + uprights 0 363 92

Plain plate

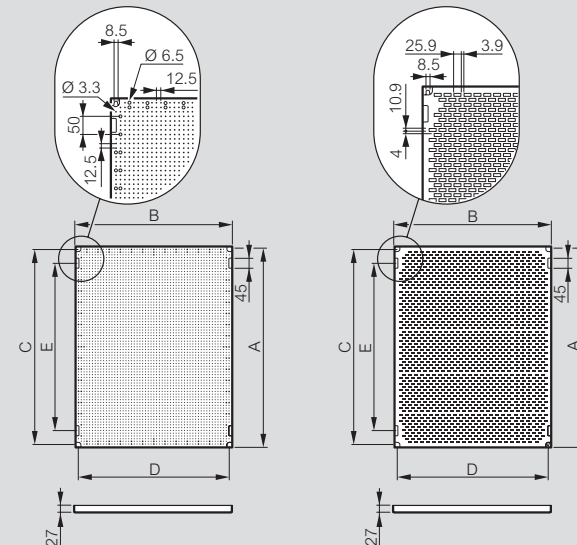
Lina 12.5 plate
Cat.No 0 346 08

Lina 25 perforated
plate Cat.No 0 346 09



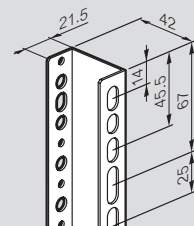
Enclosure height (mm)	Plain	
	A	B
1400	1292	1225
1600	1492	1425
1800	1692	1625

Lina 12.5 partial plain and Lina 25 perforated plates



Enclosures dim Height x Width	Lina 12.5 partial plate and Lina 25 perforated plate					
	A	B	C	D	E	Area (dm ²)
800 x 800	703	703	675	675	550	49
1000 x 1000	903	903	875	875	750	82

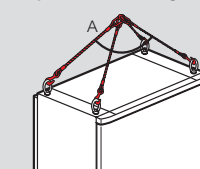
Sectioned uprights Cat.Nos 0 363 90/91/92



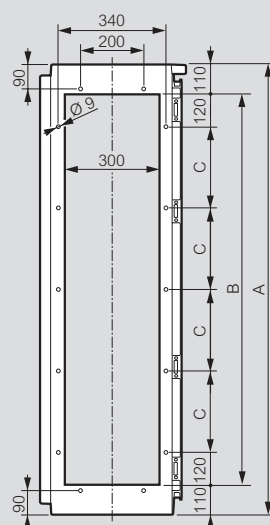
Suggested lifting method

4 x 500 kg slings and 4 brackets

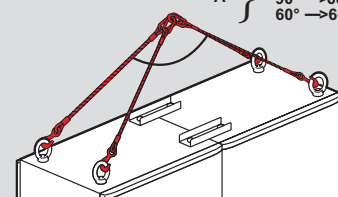
A } 120° → 250 kg
90° → 300 kg
60° → 300 kg



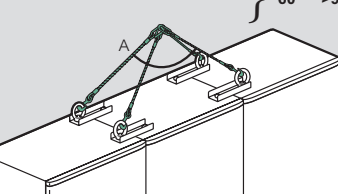
Assembly kit Cat.No 0 362 48 and lifting kit Cat.No 0 362 46



A } 120° → 500 kg
90° → 600 kg
60° → 600 kg



A } 90° → 800 kg
60° → 900 kg



Enclosures Cat.Nos	Enclosures dimensions (mm)	Dimensions (mm)		
		A	B	C
0 362 85	1400 x 800 x 400	1460	1240	250
0 362 86	1600 x 800 x 400	1660	1440	300
0 362 87	1800 x 800 x 400	1860	1640	350