

Atlantic metal cabinets supplied with plain plate

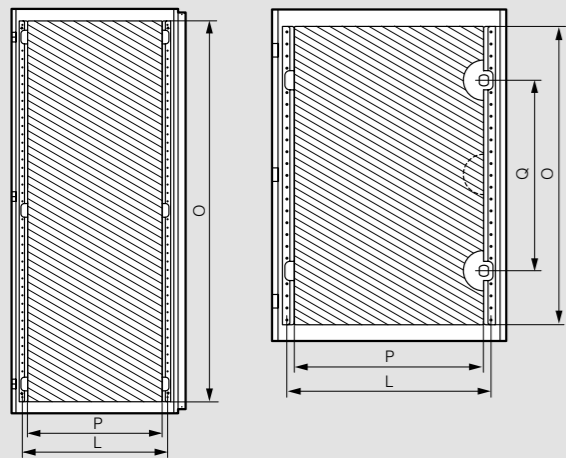
technical characteristics

Usable dimensions

Doors

2 doors

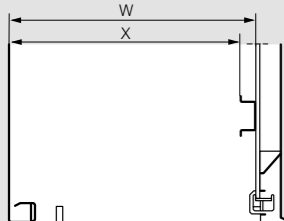
1 door



Cat.Nos	Cabinets		Door usable dimensions		Lock positions Q (mm)	Strand-holder fixing centres L (mm)
	Height (mm)	Width (mm)	Height O (mm)	Width P (mm)		
0 369 10	300	200	251	148 ⁽²⁾	(1)	(2)
0 369 17/12/27	400	300	351	248 ⁽²⁾	(1)	(2)
0 369 13/18/28	500	400	451	300	(1)	330
0 369 19/26/29/36	600	400	551	300	350	330
0 369 20	600	500	551	400	350	430
0 369 21/30/40	700	500	651	400	400	430
0 369 25	500	400	451	300	(1)	330
0 369 31/37/41/44/47	800	600	751	500	500	530
0 369 32/38/48	1000	600	951	500	(1)	530
0 369 33/39/45/49	1000	800	951	700	(1)	730
0 369 42	1200	600	1151	500	(1)	530
0 369 43/46/56	1200	800	1151	700	(1)	730
0 369 50/60	1400	800	1351	700	(1)	730
0 369 51/55	300	300	251	248 ⁽²⁾	(1)	(2)
0 369 57	400	400	351	348 ⁽²⁾	(1)	(2)
0 369 59/62	500	500	451	400	(1)	430
0 369 64/72/74	600	600	551	500	350	530
0 369 68	800	800	751	700	500	730
0 369 11/75	300	400	251	348 ⁽²⁾	(1)	(2)
0 369 76/77	400	600	351	500	(1)	530
0 369 78	600	800	551	300 x 2	(1)	330
0 369 79	600	1000	551	400 x 2	(1)	430
0 369 80	800	1000	751	400 x 2	(1)	430
0 369 81	1000	1200	951	500 x 2	(1)	530

- 1: Central lock
- 2: Without strand-holder
- 3: -12 mm on the side with "Legrand" marking

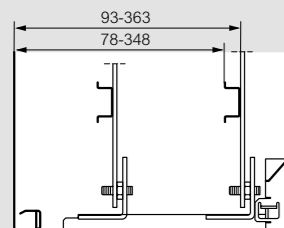
Usable depth



Cabinets Depth (mm)	Back of cabinet	
	W (mm)	X (mm)
160	140	125
200	180	165
250	230	215
300	280	265
400	380	365

Adjustment of equipment (optional) with slides

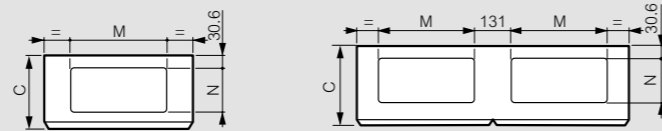
Cat.No 0 367 45 for 400 mm depth cabinets



Cable entries

Cabinets width ≤ 800 mm

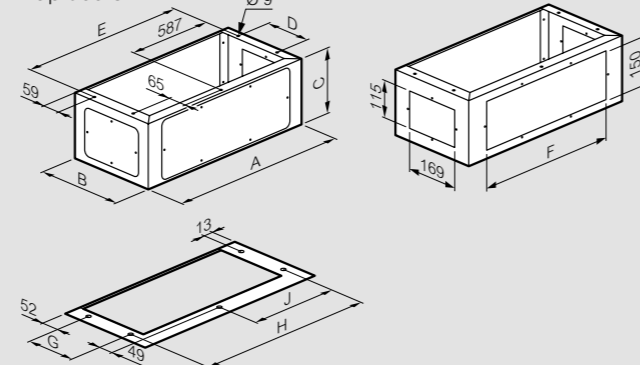
Cabinets width ≥ 1000 mm



Cabinets (mm)		Dimensions of cable entries (mm)		
Width	Depth	C	M	N
200	160	170	-	-
300	160	170	-	-
400	160	170	-	-
300	200	210	169	115
400	200	210	269	115
400	250	260	269	115
500	200	210	269	115
600	200	210	269	115
500	250	260	369	150
500	300	310	369	150
600	250	260	469	150
600	300	310	469	150
600	400	410	469	150
800	250	260	469	150
800	300	310	469	150
800	400	410	469	150
1000	300	310	369	150
1200	300	310	469	150

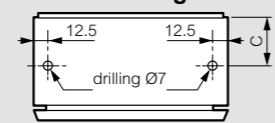
Plinths

Trap doors



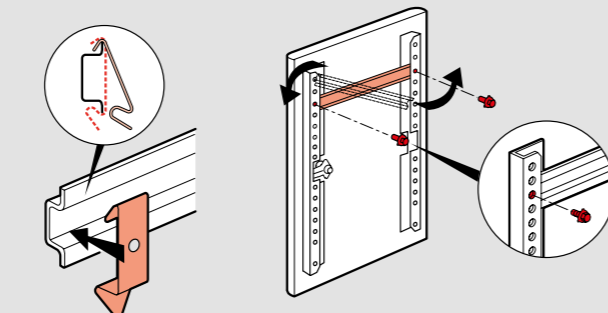
Cat.Nos	Cabinets W x D (mm)	A	B	C	D	E	F	G	H	J
0 363 00	600 x 300	600	280	200	150	574	469	150	542	271
0 363 01	800 x 300	800	280	200	150	774	469	150	742	371

Roofs fixing



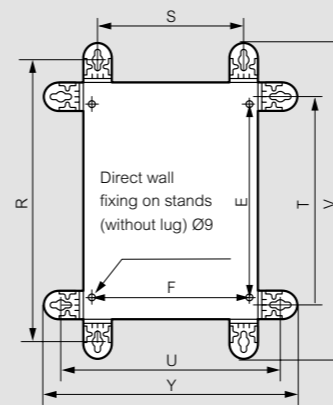
Cat.Nos	C (mm)
0 365 51/52/67/69	100
0 365 53/54/64	125
0 365 56/57	150

Fixing on door of a symmetrical rail depth 15 mm with Cat.No 0 367 35

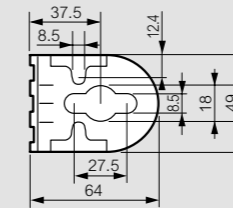


Usable dimensions

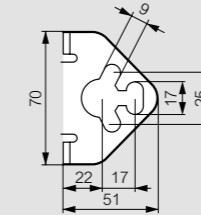
Fixing



Cat.No 0 364 01



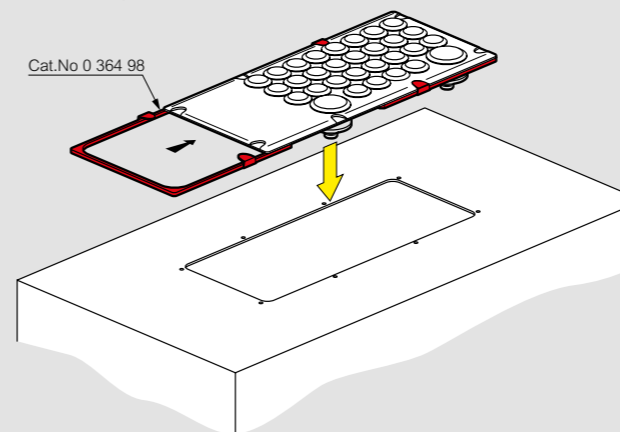
Cat.No 0 364 04



Cabinets		Vertical lugs		Mounting centres		Horizontal lugs		Mounting centres		Overall 0 364 01		Overall 0 364 04	
H (mm)	W (mm)	R (mm)	S ⁽¹⁾ (mm)	E (mm)	T ⁽¹⁾ (mm)	U (mm)	F (mm)	V (mm)	Y (mm)	V (mm)	Y (mm)	V (mm)	Y (mm)
300	200	375	150	225	250	275	169	430	330	402	302		
300	300	375	250	225	250	375	269	430	430	402	402		
300	400	375	350	225	250	475	369	430	530	402	502		
400	300	475	250	325	350	375	269	530	430	502	402		
400	400	475	350	325	350	475	369	530	530	502	502		
400	600	475	550	325	350	675	569	530	730	502	702		
500	400	575	350	425	450	475	369	630	530	602	502		
500	500	575	450	425	450	575	469	630	630	602	602		
600	400	675	350	525	550	475	369	730	530	702	502		
600	500	675	450	525	550	575	469	730	630	702	602		
600	600	675	550	525	550	675	569	730	730	702	702		
600	800	675	750	525	550	875	769	730	930	702	902		
600	1000	675	950	525	550	1075	969	730	1130	702	1102		
700	500	775	450	625	650	575	469	830	630	802	602		
800	600	875	550	725	750	675	569	930	730	902	702		
800	800	875	750	725	750	875	769	930	930	902	902		
800	1000	875	950	725	750	1075	969	930	1130	902	1102		
1000	600	1075	550	925	950	675	569	1130	730	1102	702		
1000	800	1075	750	925	950	875	769	1130	930	1102	902		
1000	1200	1075	1150	925	950	1275	1169	1130	1330	1102	1302		
1200	800	1275	750	1125	1150	875	769	1330	930	1302	902		
1400	800	1475	750	1325	1350	875	769	1530	930	1502	902		

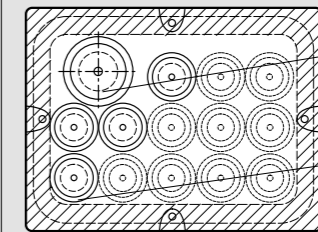
1: Same mounting centres for Cat.Nos 0 364 01 and 0 364 04

Assembly kit on plane surface for Cabstop plate



Cabstop plate

- Tensile resistance: 15 kg minimum
- Operating temperature: - 20 °C to + 65 °C
- ASTM No 3 resistance to cutting oil
- Resistance to incandescent wire: 750 °C according to IEC EN 60695-2-11



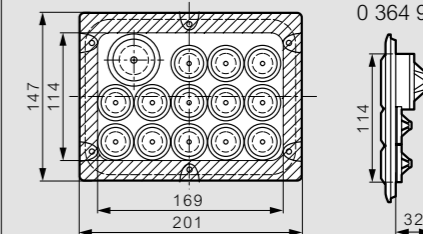
Cable entry
Ø14 to 24
equivalent CG PG 21/29
ISO 25/32

Cable entry
Ø5 to 14
equivalent CG PG 9/11/13/16
ISO 16/20

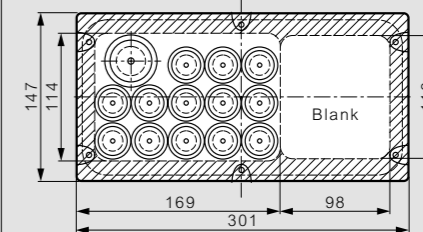
Dimensions

Cat.No 0 364 94

Side view
0 364 94/95

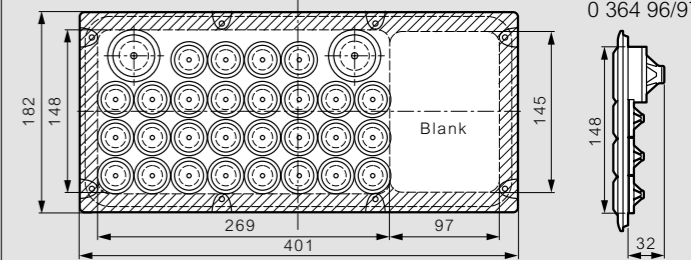


Cat.No 0 364 95



Cat.No 0 364 96

Side view
0 364 96/97



Cat.No 0 364 97

