

# Plexo

## IP 65 weatherproof cabinets and accessories



Self-extinguishing: resistance to glow wire 650°C  
 Allows to achieve assemblies conform to IEC 61 439 - 3  
 Weatherproof cabinets - IP 65 - IK 07 - Class II  
 Reversible cover  
 For DIN rail mounting equipment up to 63 A  
 Box colour light grey L750A, cover colour dark grey R746A  
 Supplied with Earth + Neutral terminal blocks (except 2-module cabinets)

Pack	Cat.Nos	Cabinets 2 to 8 modules	
		Number of rows	Number of modules
1	6 018 82	1	2
1	6 018 84	1	4
1	6 018 86	1	6
1	6 018 88	1	8

Pack	Cat.Nos	Cabinets 12 modules per row	
		Number of rows	Number of modules
1	6 018 92	1	12
1	6 018 94	2	24

### Accessories

1	0 019 69	<b>Fixing lugs</b> Set of 4 wall mounting lugs for Plexo, Plexo <sup>3</sup> cabinets and P 17 combined units (p. 536)
20	0 019 61	<b>Blanking plates</b> 5, separable into modules or 1/2 module Grey R746A
1	0 019 56	<b>Direct piercing end caps</b> Pack consisting of 100 Ø20 mm ISO end caps
1	0 019 57	Pack consisting of 100 Ø25 mm ISO end caps

### Earth terminal blocks

1	1 348 00	Brass terminal block with isolated support Conform to IEC 60998-2-1/2-2 1 x (2x16 <sup>2</sup> + 2x10 <sup>2</sup> ); ICC : 6 kA
1	1 348 01	1 x (3x16 <sup>2</sup> + 3x10 <sup>2</sup> ); ICC : 6 kA

### Earth and neutral terminal blocks

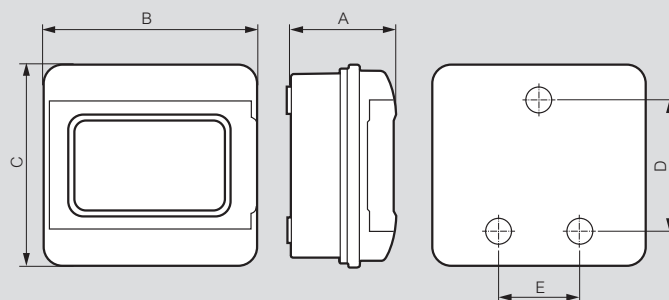
1	1 348 10	Brass terminal block with isolated support Conform to IEC 60998-2-1 2 x (2x16 <sup>2</sup> + 2x10 <sup>2</sup> ); ICC : 6 kA
1	1 348 11	2 x (3x16 <sup>2</sup> + 3x10 <sup>2</sup> ); ICC : 6 kA

# Plexo

## IP 65 weatherproof cabinets and accessories

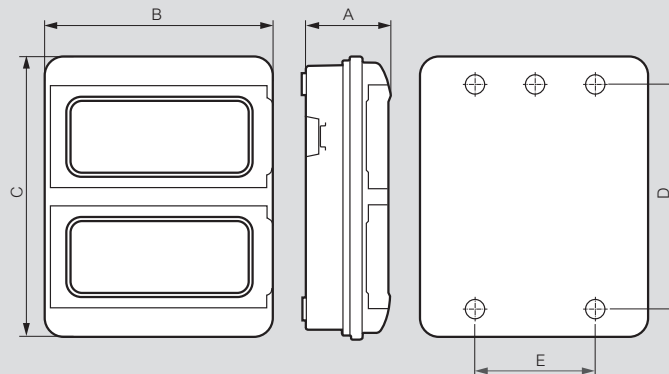
### Dimensions

#### Cabinets 2, 4, 6, 8 and 12 modules



Cat.Nos	Dimensions (mm)				
	A	B	C	D	E
6 018 82	106	75	170	100	-
6 018 84	106	141	200	130	-
6 018 86	106	177	200	130	-
6 018 88	106	213	200	130	80
6 018 92	106	285	200	130	150

#### Cabinets 24 modules



Cat.Nos	Dimensions (mm)				
	A	B	C	D	E
6 018 94	106	285	350	280	150

Space between rails 150 mm

### Number of knockouts

Cat.Nos	Top/bottom	
	Ø20 mm	Ø25 mm
6 018 82	-	2
6 018 84	4	2
6 018 86	4	4
6 018 88	6	4
6 018 92	10	4
6 018 94	10	4

### Number of connections per terminal block (supplied with the enclosure)

Cat.Nos	Terminal blocks Screw connection			
	Earth		Neutral	
	1.5 - 10 mm <sup>2</sup>	1.5 - 16 mm <sup>2</sup>	1.5 - 10 mm <sup>2</sup>	1.5 - 16 mm <sup>2</sup>
6 018 82	-	2	-	-
6 018 84	2	2	2	2
6 018 86	3	3	3	3
6 018 88	3	3	3	3
6 018 92	5	5	5	5
6 018 94	12	12	12	12