

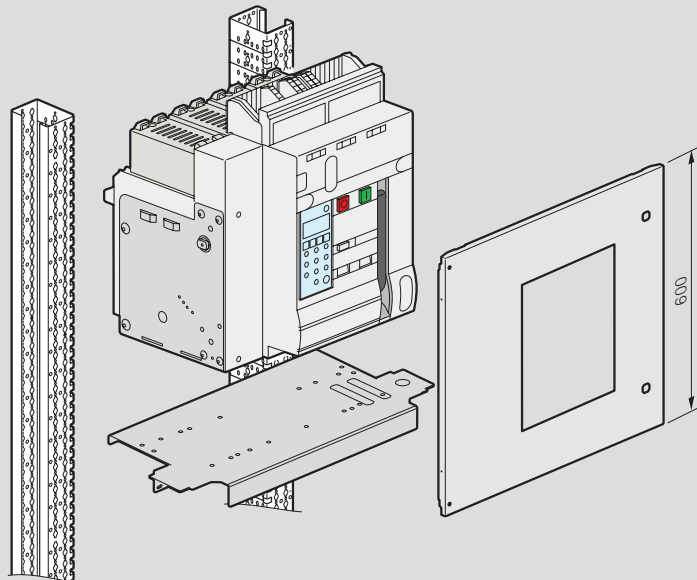
XL³ 4000

equipment for mounting on plate: DMX³ and DMX³-I fixed or draw-out version

Installation principle

Fixing plates are fixed directly onto the functional uprights

For fixed version DMX³



For draw-out version DMX³

