

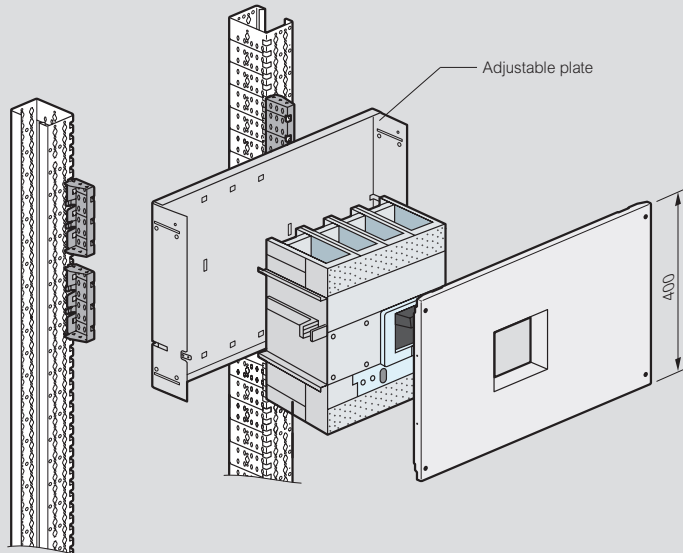
**XL<sup>3</sup> 4000 - equipment for mounting on adjustable plates:  
DPX<sup>3</sup> 1600 fixed version**

**XL<sup>3</sup> 4000 - equipment for mounting on adjustable plates:  
DPX<sup>3</sup> 1600 draw-out version and supply invertors**

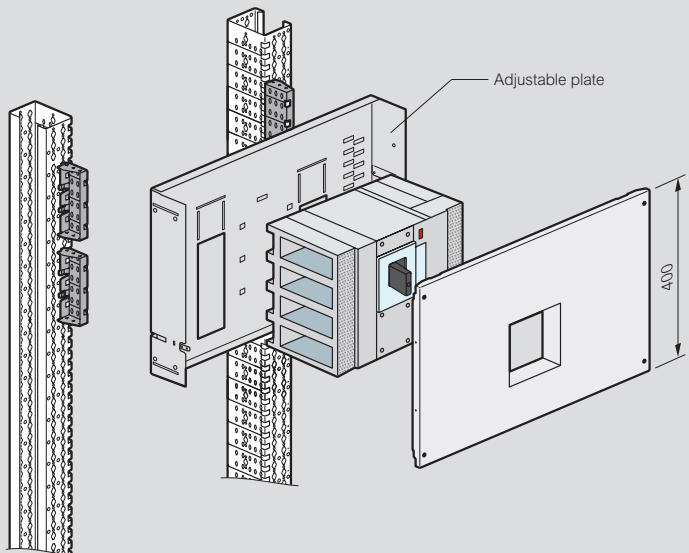
**Installation principle**

Sliding plates are used for mounting DPX<sup>3</sup>, without the use of screws, in all configurations due to the indexing of the functional uprights

**Fixing devices in vertical position**



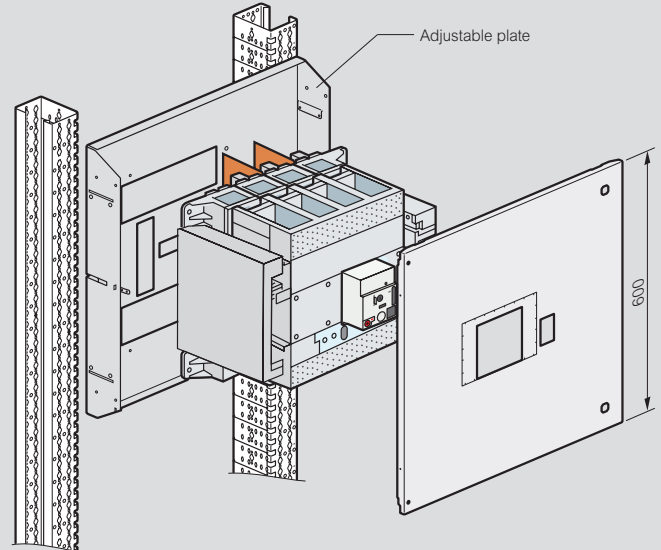
**Fixing devices in horizontal position**



**Installation principle**

Sliding plates are used for mounting DPX<sup>3</sup>, without the use of screws, in all configurations due to the indexing of the functional uprights

**Fixing devices in vertical position**



**Fixing devices in horizontal position**

