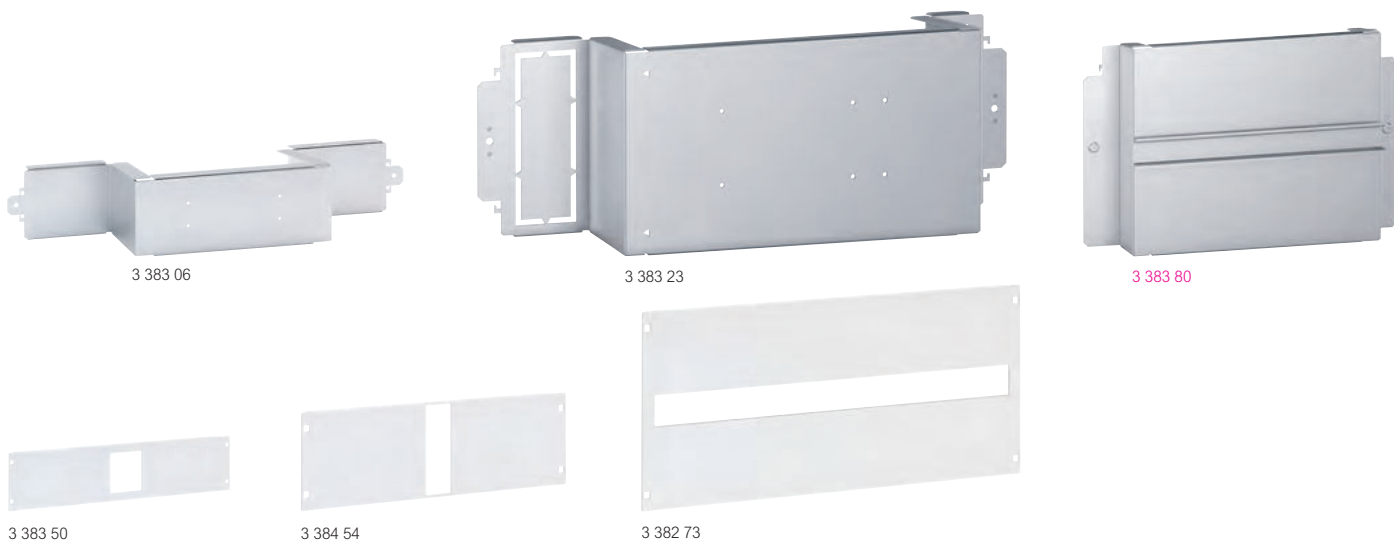


XL³ S 630

equipment for mounting DPX³ 160/250 on a plate



Selection chart p. 326 to 331

Pack	Cat.Nos		
	3P	4P	Reduced height fixing plates for DPX³ 160/250 - horizontal mounting
1	3 383 00	3 383 01	DPX³ 160 For 16-module enclosure
1	3 383 03	3 383 04	For 24-module enclosure
1	3 383 06	3 383 07	For 36-module enclosure
	3P	4P	DPX³ 250
1	3 384 00	3 384 01	For 16-module enclosure
1	3 384 03	3 384 04	For 24-module enclosure
1	3 384 06	3 384 07	For 36-module enclosure
	3P/4P		Fixing plates for DPX³ 160/250 - vertical mounting
1	3 383 20		DPX³ 160 For 16-module enclosure
1	3 383 23	3 383 24	For 24-module enclosure
1	3 383 26	3 383 27	For 36-module enclosure
	4P with e.l.c.b		
1	3 383 21		For 16-module enclosure
1	3 383 25		For 24-module enclosure
1	3 383 28		For 36-module enclosure
	3P/4P		DPX³ 250
1	3 384 20		For 16-module enclosure
	3P	4P	
1	3 384 23	3 384 24	For 24-module enclosure
1	3 384 26	3 384 27	For 36-module enclosure
	4P with e.l.c.b		
1	3 384 21		For 16-module enclosure
1	3 384 25		For 24-module enclosure
1	3 384 28		For 36-module enclosure
	3P/4P		DPX³ 160 with rotary handle
1	3 383 80		For 16-module enclosure
1	3 383 81		For 24-module enclosure
1	3 383 82		For 36-module enclosure
	3P/4P		DPX³ 250 with rotary handle
1	3 383 95		For 16-module enclosure
1	3 383 96		For 24-module enclosure
1	3 383 97		For 36-module enclosure

Pack	Cat.Nos		
	3P	4P	Faceplates for DPX³ 160/250 and DRX 125 HP/250 HP - horizontal mounting
			Fixed with 1/4 turn screws or screws
			DPX³ 160 - DRX 125 HP
			Height: 3P: 100 mm / 4P: 150 mm
1	3 383 50	3 383 51	For 16-module enclosure
1	3 383 53	3 383 54	For 24-module enclosure
1	3 383 56	3 383 57	For 36-module enclosure
			DPX³ 250 - DRX 250 HP
			Height: 3P: 150 mm / 4P: 200 mm
1	3 384 50	3 384 51	For 16-module enclosure
1	3 384 53	3 384 54	For 24-module enclosure
1	3 384 56	3 384 57	For 36-module enclosure
			Faceplates for DPX³ 160/250 and DRX 250 HP - vertical mounting
			Fixed with 1/4 turn screws or screws
			Height 300 mm
1	3 382 71		For 16-module enclosure
1	3 382 72		For 24-module enclosure
1	3 382 73		For 36-module enclosure
			Faceplates for DPX³ 160/250 with rotary handle - vertical mounting
			Fixed with 1/4 turn screws or screws
			DPX³ 160 and DPX³ 250
			For 16-module enclosure
1	3 383 83		For 24-module enclosure
1	3 383 84		For 24-module enclosure
1	3 383 85		For 36-module enclosure