

Surface-mounting cabinets XL³ 125

from 18 to 72 modules

Number of connections per neutral and earth terminal block (supplied with enclosure)

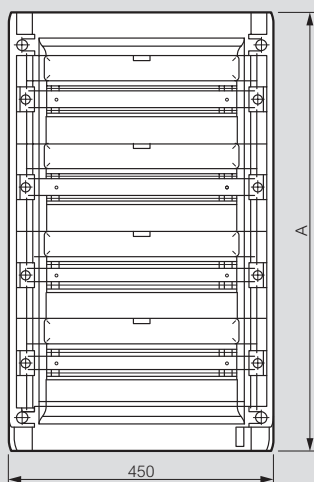
Enclosure Cat.Nos	Neutral terminal blocks Screw connection		Earth terminal blocks Screw connection	
	6 - 25 mm ²	1.5 - 16 mm ²	6 - 25 mm ²	1.5 - 16 mm ²
4 016 76	1	17	1	17
4 016 77	1	21	1	21
4 016 78	1	26	1	26
4 016 79	1	34	1	34

Number of blanking plates supplied per enclosure

Enclosure Cat.Nos	Number of blanking plates 5 modules
4 016 76	1
4 016 77	2
4 016 78	3
4 016 79	3

Dimensions

Front view



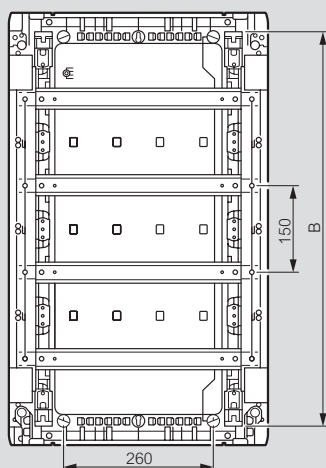
Side view without door



Side view with door



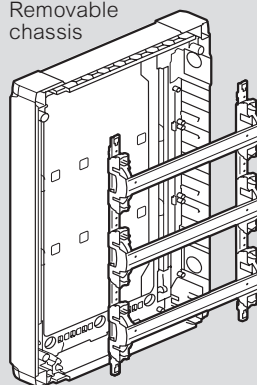
Fixing centres and distance between rails



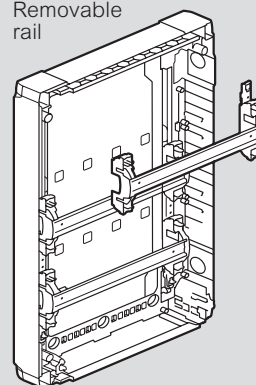
Enclosure Cat.Nos	A (mm)	B (mm)
4 016 76	300	250
4 016 77	450	365
4 016 78	600	515
4 016 79	750	665

Removable and pivoting chassis

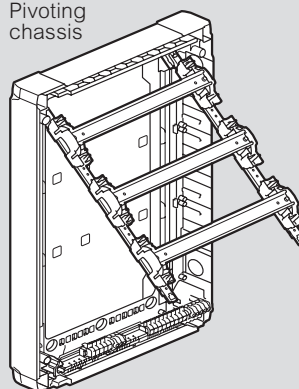
Removable chassis



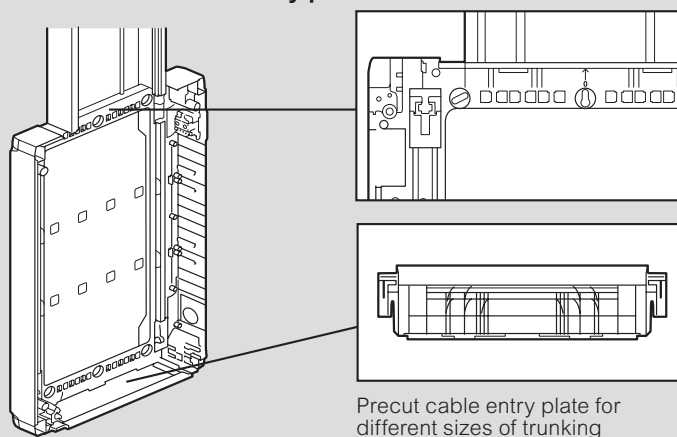
Removable rail



Pivoting chassis



Removable cable entry plate



Precut cable entry plate for different sizes of trunking

Removable faceplate

Cabinet with rails, perforated plate, faceplates for DIN-rail equipment and plain faceplate

