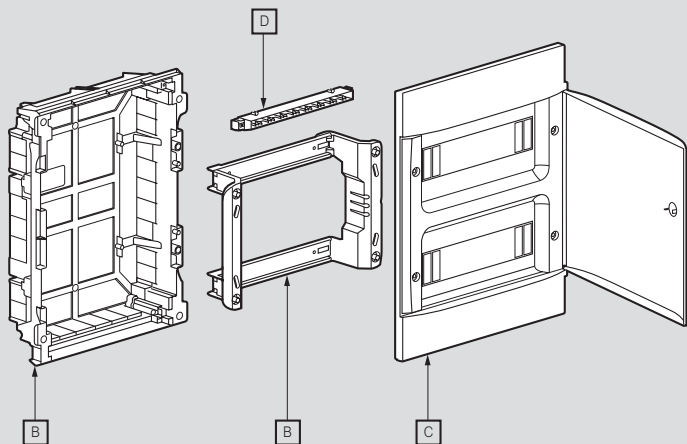


# Practibox S

flush-mounting cabinets for masonry and dry partitions - technical characteristics

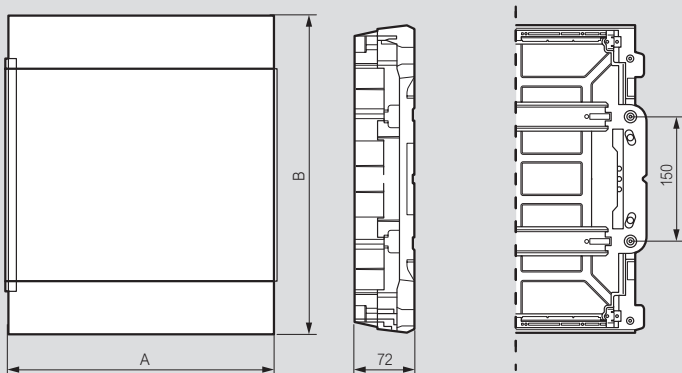
## Composition of distribution cabinets from 4 to 72 modules



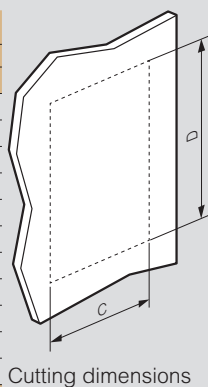
A: flush-mounting box for masonry or dry partitions  
B: removable chassis with leveling system

C: removable faceplate with white or transparent door  
D: terminal blocks (depending on the cabinet version)

## Dimensions



Réf.	Dimensions (mm)			
	A	B	C	D
<b>Cabinets for masonry</b>				
1 340 04/14/44/54 / 1 341 44/54	184	215	166	215
1 340 08/18/48/58 / 1 341 48/58	256	225	238	225
1 350 01/11/41/51 / 1 351 41/51	328	235	310	235
1 350 02/12/42/52 / 1 351 42/52	328	385	310	385
1 350 03/13/43/53 / 1 351 43/53	328	535	310	535
1 350 04/14/44/54 / 1 351 44/54	328	765	310	685
1 370 06/16/46/56 / 1 371 46/56	436	235	418	235
1 370 07/17/47/57 / 1 371 47/57	436	385	418	385
1 370 08/18/48/58 / 1 371 48/58	436	615	418	535
1 370 09/19/49/59 / 1 371 49/59	436	765	418	685
1 370 05/15/45/55 / 1 371 45/55	508	235	490	235
<b>Cabinets for dry partitions</b>				
1 340 24/34/64/74 / 1 341 64/74	184	215	146	205
1 340 28/38/68/78 / 1 341 68/78	256	225	218	215
1 350 21/31/61/71 / 1 351 61/71	328	235	290	225
1 350 22/32/62/72 / 1 351 62/72	328	385	290	375
1 350 23/43/63/73 / 1 351 63/73	328	535	290	525
1 350 24/34/64/74 / 1 351 64/74	328	765	290	675
1 370 26/36/66/76 / 1 371 66/76	436	235	398	225
1 370 27/37/67/77 / 1 371 67/77	436	385	398	375
1 370 28/38/68/78 / 1 371 68/78	436	615	398	525
1 370 29/39/69/79 / 1 371 69/79	436	765	398	675
1 370 25/35/65/75 / 1 371 65/75	508	235	470	225



Cutting dimensions

## Number of blanking plates supplied per enclosure

Cat.Nos	Number of blanking plates 5 modules
1 340 04/14/24/34/44/54/64/74	-
1 340 08/18/28/38/48/58/68/78	-
1 341 44/54/64/74	-
1 341 48/58/68/78	-
1 350 01/11/21/31/41/51/61/71	-
1 350 02/12/22/32/42/52/62/72	1
1 350 03/13/23/33/43/53/63/73	1
1 350 04/14/24/34/44/54/64/74	1
1 351 41/51/61/71	-
1 351 42/52/62/72	1
1 351 43/53/63/73	1
1 351 44/54/64/74	1
1 370 05/15/25/35/45/55/65/75	1
1 370 06/16/26/36/46/56/66/76	1
1 370 07/17/27/37/47/57/67/77	1
1 370 08/18/28/38/48/58/68/78	2
1 370 09/19/29/39/49/59/69/79	2
1 371 46/56/66/76	1
1 371 47/57/67/77	1
1 371 48/58/68/78	2
1 371 49/59/69/79	2

## Number of connections per earth terminal block (supplied with enclosure)

Cat.Nos	Earth terminal blocks Screw connection		
	6 - 25 mm <sup>2</sup>	1.5 - 16 mm <sup>2</sup>	1.5 - 10 mm <sup>2</sup>
1 340 44/54/64/74	-	2	2
1 340 48/58/68/78	-	3	3
1 350 41/51/61/71	-	5	5
1 350 42/52/62/72	-	8	8
1 350 43/53/63/73	-	12	12
1 350 44/54/64/74	-	16	16
1 370 45/55/65/75	-	8	8
1 370 46/56/66/76	1	12	-
1 370 47/57/67/77	1	21	-
1 370 48/58/68/78	1	34	-
1 370 49/59/69/79	1	34	-

## Number of connections per neutral and earth terminal block (supplied with enclosure)

Cat.Nos	Neutral terminal blocks Screw connection			Earth terminal blocks Screw connection		
	6 - 25 mm <sup>2</sup>	1.5 - 16 mm <sup>2</sup>	1.5 - 10 mm <sup>2</sup>	6 - 25 mm <sup>2</sup>	1.5 - 16 mm <sup>2</sup>	1.5 - 10 mm <sup>2</sup>
1 341 44/54/64/74	-	2	2	-	2	2
1 341 48/58/68/78	-	3	3	-	3	3
1 351 41/51/61/71	-	5	5	-	5	5
1 351 42/52/62/72	-	8	8	-	8	8
1 351 43/53/63/73	-	12	12	-	12	12
1 351 44/54/64/74	-	16	16	-	16	16
1 371 45/55/65/75	1	16	-	1	16	-
1 371 46/56/66/76	1	12	-	1	12	-
1 371 47/57/67/77	1	21	-	1	21	-
1 371 48/58/68/78	1	34	-	1	34	-
1 371 49/59/69/79	1	34	-	1	34	-