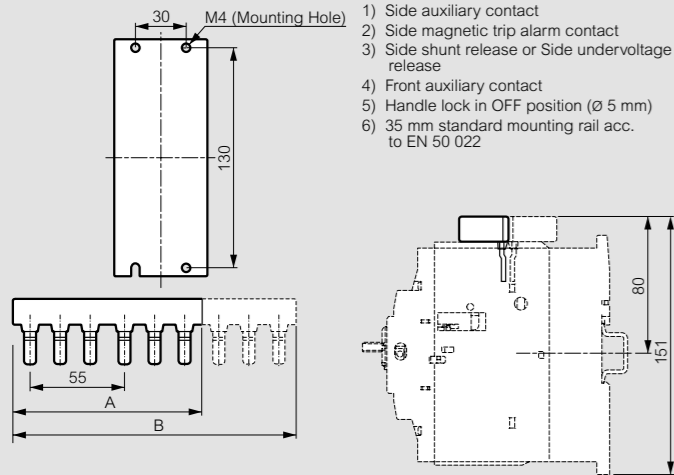
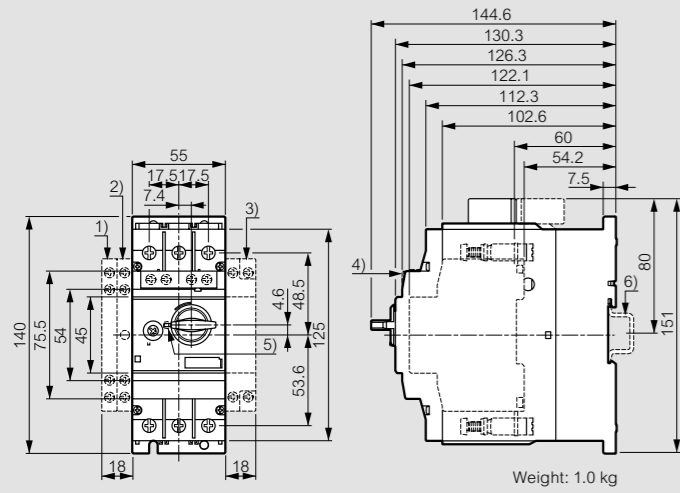


MPCBs MPX³
dimensions (continued)

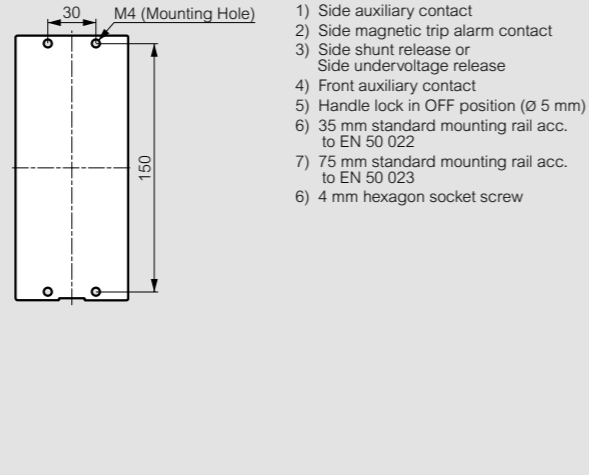
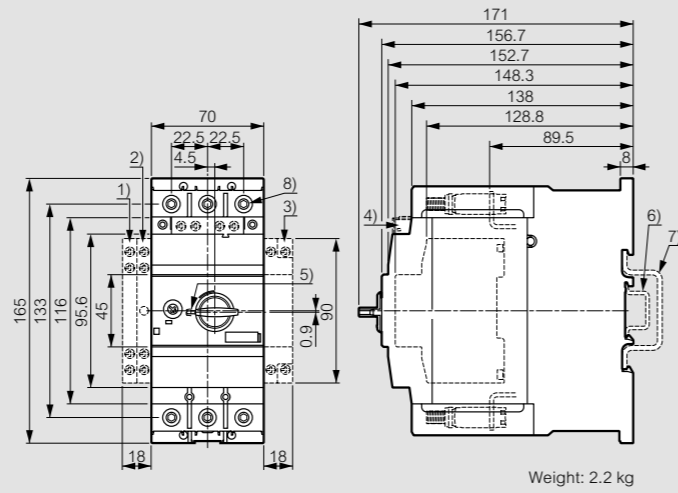
MPX³ 63H



Cat.Nos	Numbers of MPX ³	A ⁽¹⁾ (mm)	B (mm)
4 174 72	2	110	-
4 174 74	3	-	165

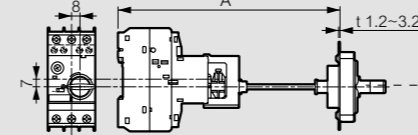
1: Only for Cat.No 4 174 72

MPX³ 100H

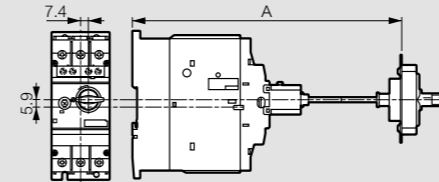


External Handle

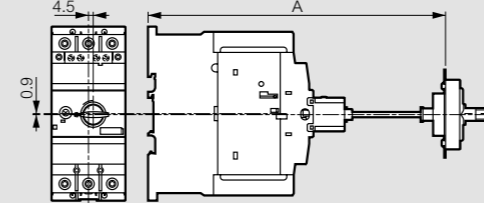
MPX³ 32H / 32MA - Cat.No 4 174 63



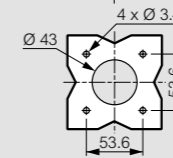
MPX³ 63H - Cat.No 4 174 64



MPX³ 100H - Cat.No 4 174 65

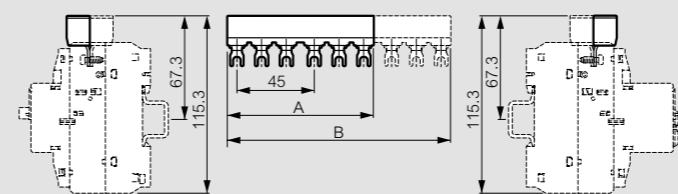


Cat.Nos	A (mm)	MMS Type
4 174 63	min: 148.6 max: 410.6 (Shaft 315mm)	MPX ³ 32H / 32MA
4 174 64	min: 193.6 max: 455.6 (Shaft 315mm)	MPX ³ 63H
4 174 65	min: 220 max: 482 (Shaft 315mm)	MPX ³ 100H

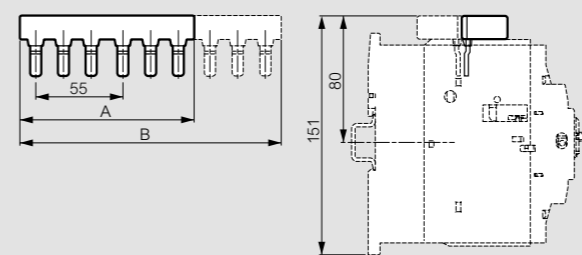


Phase Bus

Cat.Nos 4 174 71/73/75/76



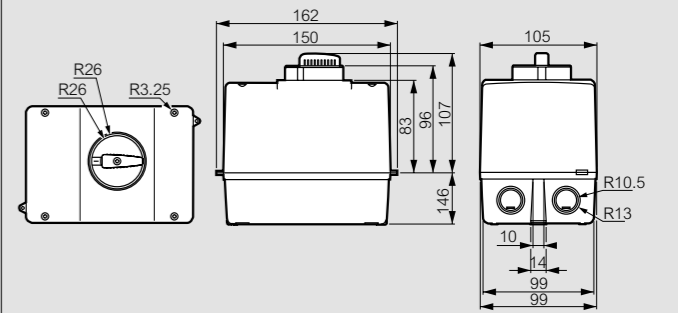
Cat.Nos 4 174 72/74



Cat.Nos	Number of MPX ³	A (mm)	B (mm)
4 174 71	2	85	-
4 174 72	3	-	130
4 174 73	2	110	-
4 174 74	3	-	165
4 174 75	4	-	175
4 174 76	5	-	220

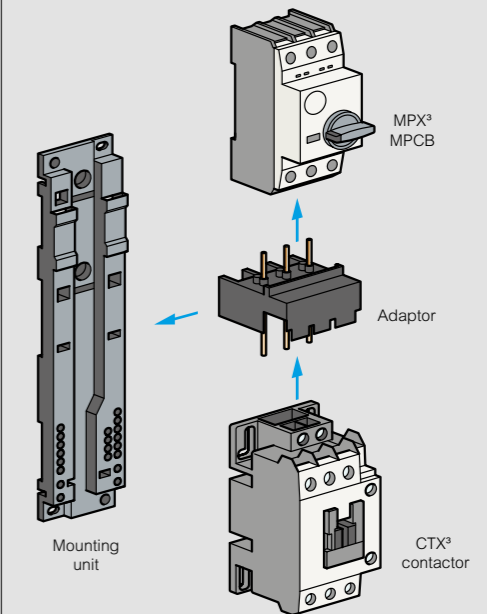
Enclosure

Cat.Nos 4 174 80/81



Mounting units - installation principle

Cat.Nos 4 174 60/61/62



MPX ³ MPCB	CTX ³ contactor	Adaptor	Mounting unit
MPX ³ 32S	CTX ³ mini ~	4 174 40	4 174 60
	CTX ³ mini =	4 174 41	
	CTX ³ 22 ~	4 174 48	
	CTX ³ 22 =	4 174 49	
	CTX ³ 40 ~	4 174 52	
MPX ³ 32H/MA	CTX ³ 40 =	4 174 53	
	CTX ³ mini ~	4 174 42	
	CTX ³ mini =	4 174 43	
	CTX ³ 22 ~	4 174 50	
	CTX ³ 22 =	4 174 51	
MPX ³ 63H	CTX ³ 40 ~	4 174 54	
	CTX ³ 40 =	4 174 55	
	CTX ³ 65 ~	4 174 56	
MPX ³ 100H	CTX ³ 65 =	4 174 57	4 174 61
	CTX ³ 100 ~	4 174 58	
	CTX ³ 100 =	4 174 59	4 174 62