

SPX³-V vertical fuse carriers

for NH blade type cartridge fuses, mounting on 185 mm busbar supports

Electrical characteristics

Type	SPX ³ -V 00 185 mm	SPX ³ -V 1 185 mm	SPX ³ -V 2 185 mm	SPX ³ -V 3 185 mm
Cartridge size	00	1	2	3
Nominal current I _n	160 A	250 A	400 A	630 A
Type of current	AC (50-60 Hz)	AC (50-60 Hz)	AC (50-60 Hz)	AC (50-60 Hz)
Nominal voltage U _n	800 V AC	800 V AC	690 V AC	800 V AC
Rated insulating voltage U _e	1000 V	1000 V	1000 V	1000 V
Rated impulse withstand voltage U _{imp}	8 kV	12 kV	8 kV	12 kV
Category of use EN 60947-3	400 V	AC-23 B	AC-23 B	AC-23 B
	500 V	AC-22 B	AC-22 B	AC-22 B
	690 V	AC-21 B (125 A)	AC-22B & AC-21 B	AC-22B & AC-21 B
	800 V	AC-22 B (63A)	AC-22 B (160 A)	AC-20 B ⁽¹⁾
Conditional rated short-circuit current (with gG/gL fuses)	500 V	-	120 kA	100 kA
	690 V	100 kA	100 kA	80 kA
Power dissipated by fuse carrier (without fuse component)	28 W	24 W	60 W	118 W

1: Rated current according to the available fuse links, taking into account the maximum permissible power dissipation 34 W. Do not switch under load.

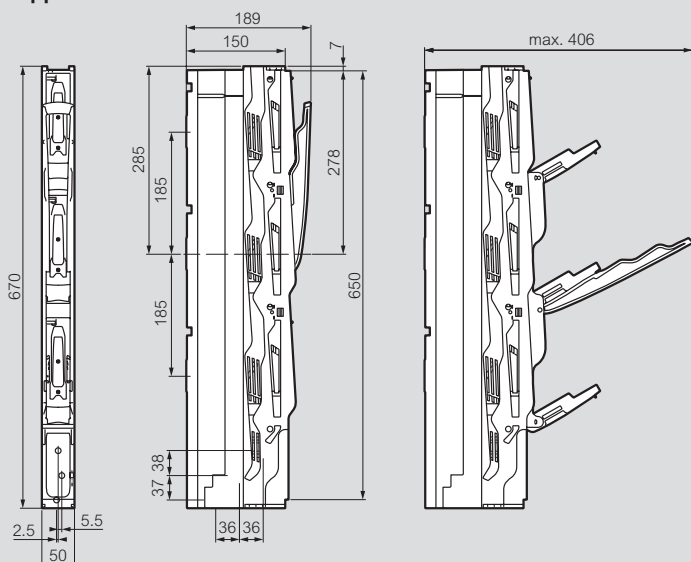
Connection characteristics

Size	Screw terminals	Direct connection terminals	Prism connection	Size	Screw terminals	Direct connection terminals	Prism connection
00	M8 70 mm ²	-	Cu, Al re: 1 x 10 mm ² rm: 1 x 16 - 95 mm ² sm: 1 x 35 - 95 mm ² f: 1 x 10 - 95 mm ² f+AE: 1 x 10 - 70 mm ²	2	M12 2 x 185 mm ² - 240 mm ²	sm: 1 x 35 - 150 mm ² se: 1 x 50 - 185 mm ² rm: 1 x 35 - 70 mm ² re: 1 x 50 mm ² Md 32 - 40 Nm	-
1	M12 2 x 185 mm ² - 240 mm ²	sm: 1 x 35 - 150 mm ² se: 1 x 50 - 185 mm ² rm: 1 x 35 - 70 mm ² re: 1 x 50 mm ² Md 32 - 40 Nm sm: 2 x 35 - 150 mm ² se: 2 x 50 - 185 mm ² rm: 2 x 35 - 70 mm ² re: 2 x 35 - 50 mm ² Md 18 - 24 Nm	-	3	M12 2 x 185 mm ² - 240 mm ²	sm: 1 x 35 - 150 mm ² se: 1 x 50 - 185 mm ² rm: 1 x 35 - 70 mm ² re: 1 x 50 mm ² Md 32 - 40 Nm sm: 2 x 35 - 150 mm ² se: 2 x 50 - 185 mm ² rm: 2 x 35 - 70 mm ² re: 2 x 35 - 50 mm ² Md 18 - 24 Nm	-

Cable type:
sm: stranded sectored
se: solid sectored
rm: stranded round
re: solid round
f: flexible
AE: wire-end ferrules

Dimensions (mm)

Installing the SPX³-V 00 Cat.No 6 058 50 on 185 mm busbar supports



Installing the SPX³-V Cat.No 6 058 51/52/53 on 185 mm busbar supports

