

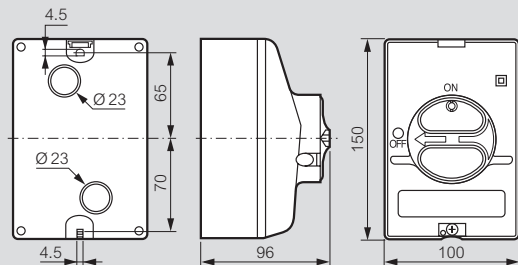
# Proximity switching from 16 A to 80 A (continued)

## dimensions

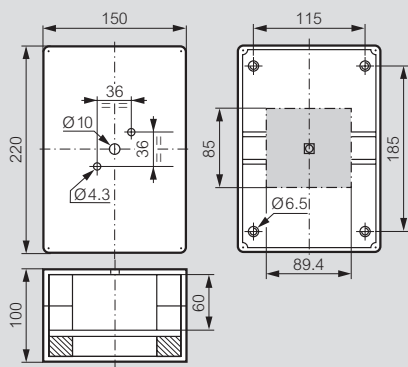
### Dimensions

#### Proximity switching

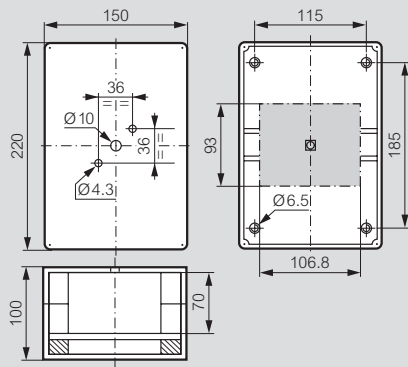
Boxes 2 x 2 knock-out entries: PG 16 or ISO 25  
Cat.Nos 0 221 71/72/73/79/81/82/83/88/89



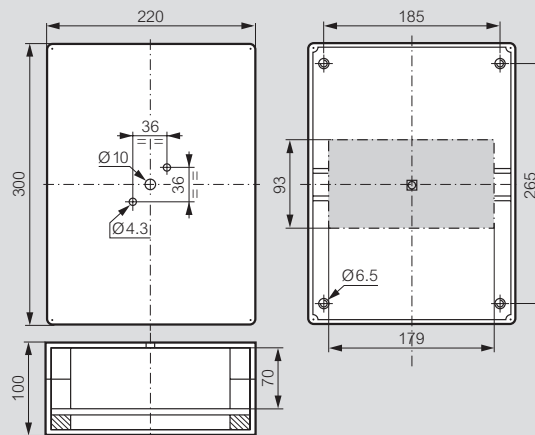
Boxes 2 x 2 knock-out entries: PG 21  
Cat.Nos 0 221 74/75/84/85



Boxes 2 x 2 knock-out entries: PG 29  
Cat.Nos 0 221 76/77



Boxes 2 x 4 knock-out entries: 2 x PG 21 and 2 x PG 29  
Cat.Nos 0 221 86/87



#### Auxiliary contact

Cat.No 0 227 00

