

# Automation control units for transfer switches

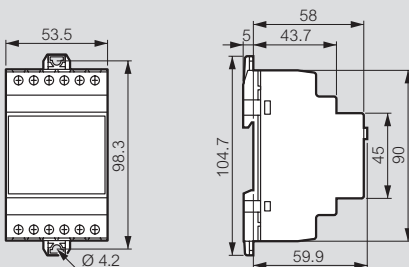
## technical characteristics and dimensions

### Technical characteristics

		Cat.Nos			
		4 226 81	4 226 82	4 226 83	4 226 84
Voltage inputs	Ue max rated voltage	100-480 V~	100-480 V~	100-600 V~ L-L (346 V~ L-N)	100-600 V~ L-L (346 V~ L-N)
	Measuring range	50-576 V~ (L-L)	50-576 V~ (L-L)	50-720 V~ (L-L)	50-720 V~ (L-L)
	Frequency range	45...65 Hz 360...440 Hz	45...65 Hz 360...440 Hz	45...65 Hz 360...440 Hz	45...65 Hz 360...440 Hz
	Measurement type	True RMS value	True RMS value	True RMS value	True RMS value
	Connection modes	Single phase, two-phase or three-phase system with or without neutral	Single phase, two-phase or three-phase system with or without neutral	Single phase, two-phase or three-phase system with or without neutral	Single phase, two-phase or three-phase system with or without neutral
	Measuring error	± 0.25% f.s. ± 1 digit	± 0.25% f.s. ± 1 digit	± 0.25% f.s. ± 1 digit	± 0.25% f.s. ± 1 digit
Ambient conditions	Operating temperature	-30... +70 °C	-30... +70 °C	-30... +70 °C	-30... +70 °C
	Storage temperature	-30...+80 °C	-30...+80 °C	-30...+80 °C	-30...+80 °C
	Relativity humidity	80 % (IEC/EN 60068-2-78)	80 % (IEC/EN 60068-2-78)	80 % (IEC/EN 60068-2-78)	80 % (IEC/EN 60068-2-78)
	Maximum pollution degree	2	2	2	2
	Overvoltage category	3	3	3	3
	Measurement category	III	III	III	III
	Rated impulse withstand voltage	Uimp 7.3 kV	Uimp 7.3 kV	Uimp 7.3 kV	Uimp 7.3 kV
	Protection index	IP 40	IP 40	IP 65	IP 65
Functionalities	Inputs	6 programmables	6 programmables	8 programmables	12 programmables
	Outputs	7 relay programmables	7 relay programmables	7 relay programmables	11 relay programmables
	Expandability	No	Yes (2 modules)	Yes (3 modules)	Yes (3 modules)
	ModBus	No	Yes, with expansion module RS485	Yes, embedded RS485	Yes, embedded RS485
	Storage	No	Yes, 100 most recent events	Yes, 250 most recent events	Yes, 250 most recent events
	Programming	USB or WiFi (Direct on front panel or with comm module and Legrand software or App)			

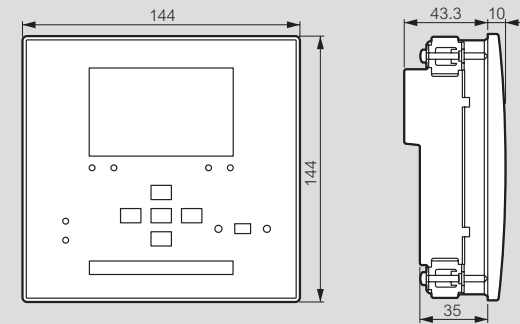
### Dimensions

#### Cat.No 4 226 86

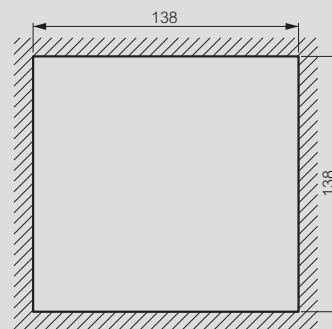


### Dimensions (continued)

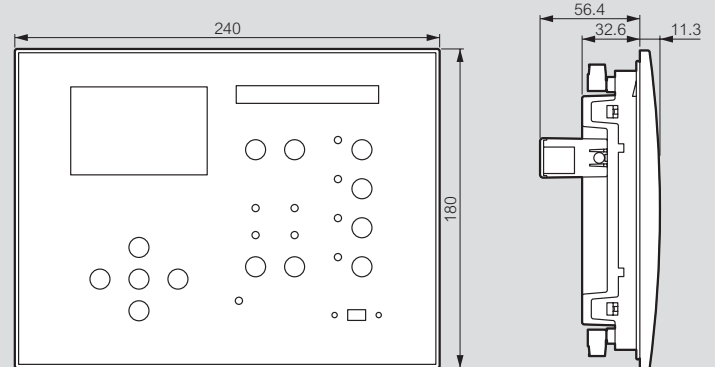
#### Cat.Nos 4 226 81/82



#### Door cut



#### Cat.Nos 4 226 83/84



#### Door cut

