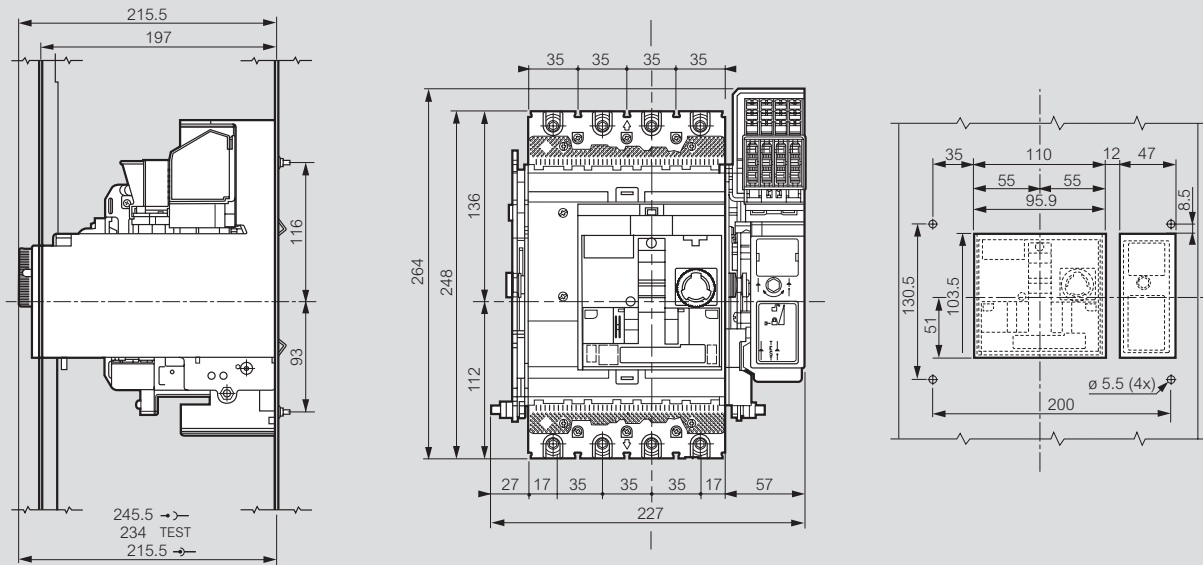


DPX³ 250 HP

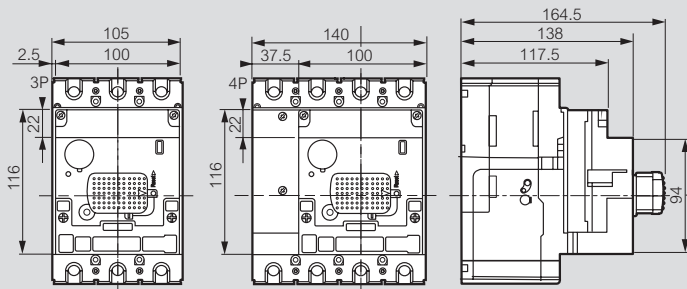
technical characteristics (continued)

Dimensions

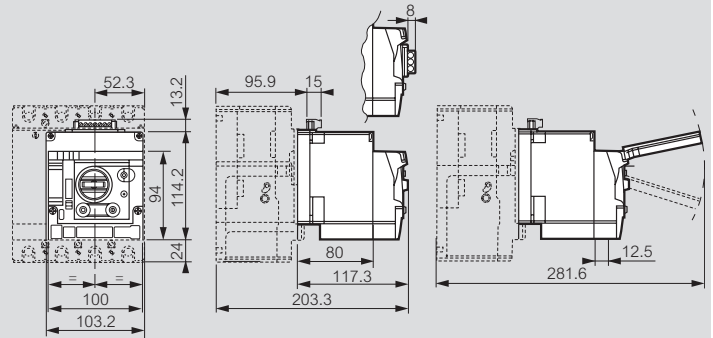
Draw-out version



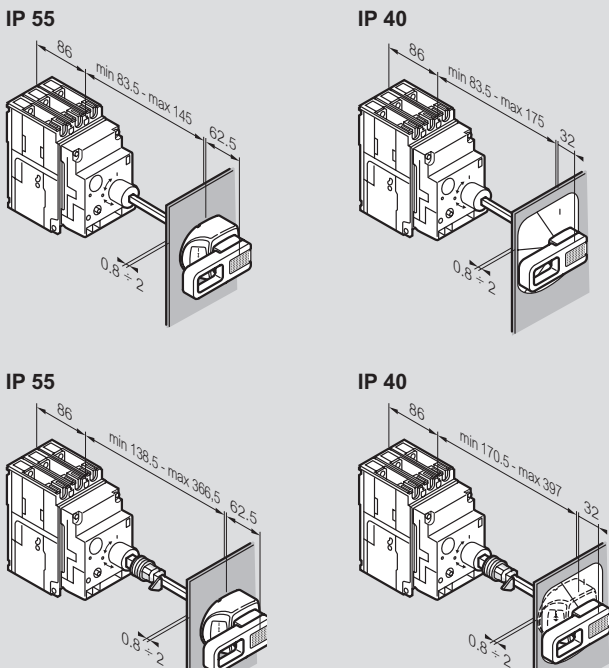
Rotary handle direct on DPX³ Cat.Nos 4 238 70/71



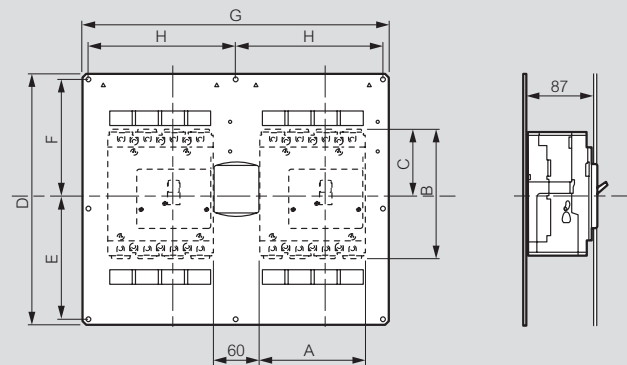
Motor driven handle Cat.Nos 4 238 40/41/42/43



Vari-depth handle Cat.Nos 4 238 72/73



Mechanical interlock Cat.Nos 4 238 26/27/28



	A	B	C	D	E	F	G	H
3P	105	165	82.5	340	165	160	415	200
4P	140	165	82.5	340	165	160	415	200

More dimensions for DPX³ 250 HP
see technical sheets