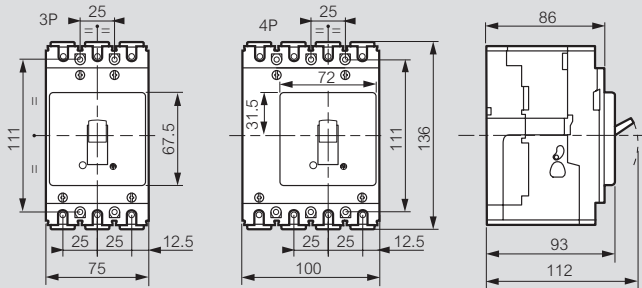


DPX³ 125/160 HP

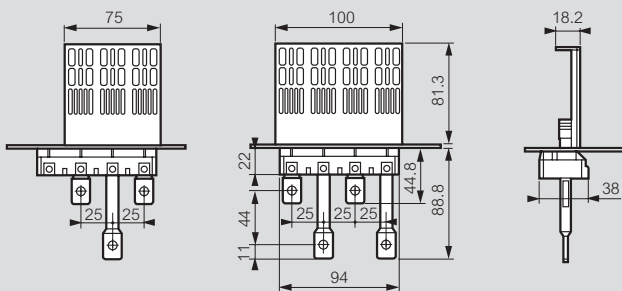
technical characteristics

Dimensions

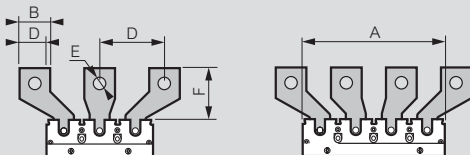
Fixed version, front terminals



Fixed version with rear terminals Cat.Nos 4 238 91/92

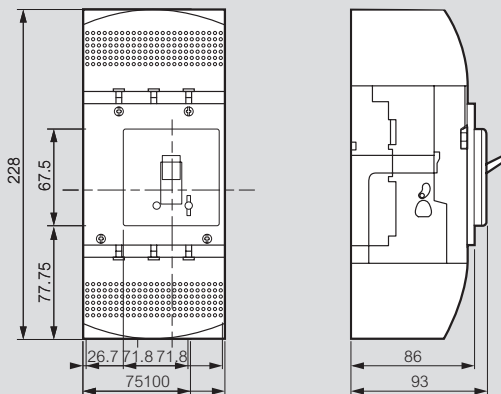


Spreaders Cat.Nos 4 238 88/89

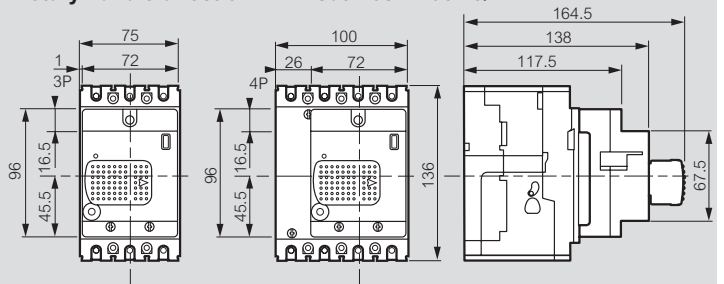


	A	B	C	D	E	F
3P	75	22	10	35.7	10.2	32
4P	100	22	10	35.7	10.2	32

Sealable terminal shields Cat.Nos 4 238 93/94

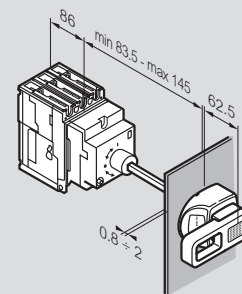


Rotary handle direct on DPX³ Cat.Nos 4 238 70/71

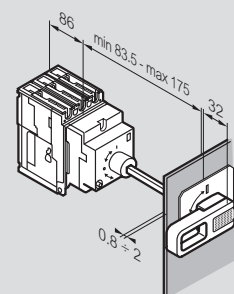


Vari-depth handle Cat.Nos 4 238 72/73

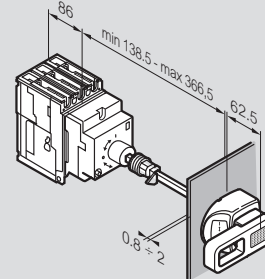
IP 55



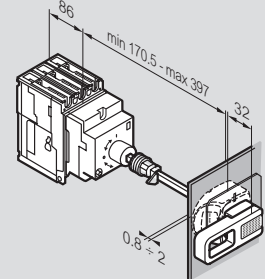
IP 40



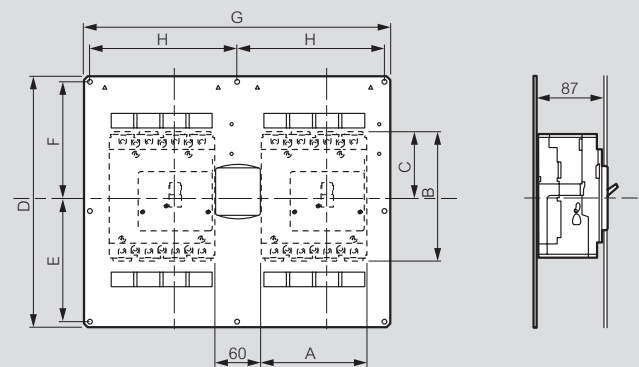
IP 55



IP 40



Mechanical interlock Cat.Nos 4 238 25/26/27



	A	B	C	D	E	F	G	H
3P	75	136	68	290	140	135	315	150
4P	100	136	68	290	140	135	315	150

More dimensions for DPX³ 125 HP
see technical sheets