

Residual current relay and coils



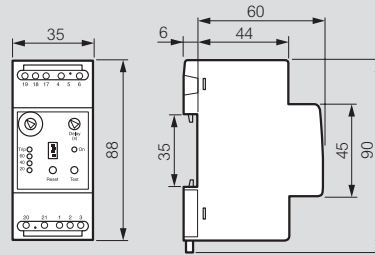
Add residual current protection to DPX³ trip-free switches and DPX³ MCCBs equipped with release

Pack	Cat.Nos	Residual current relay
1	0 260 88	<p>Detects fault currents, and, when used with a shunt trip or an undervoltage release, it gives the trip command to a MCCB or a switch</p> <ul style="list-style-type: none"> Comprises: <ul style="list-style-type: none"> a tinged, sealable window an auxiliary contact a green Led indicating energisation 3 yellow Leds indicating respectively the max. phase earth insulation current: 20, 40 and 60 % a red Led indicating Fixed: exceeding of the insulation fault current value Flashing: breaking of one of the connections between coils and relays For use with coils: <ul style="list-style-type: none"> Ø35 and 80 mm Adjustable sensitivity: 0.03, 0.05, 0.075, 0.1, 0.15, 0.2, 0.3, 0.5, 0.75, 1, 1.5, 2, 3, 5, 7.5, 10, 15, 20, 30 A Adjustable sensitivity: 0.3, 0.5, 0.75, 1, 1.5, 2, 3, 5, 7.5, 10, 15, 20, 30 A Adjustable sensitivity: 0.5, 0.75, 1, 1.5, 2, 3, 5, 7.5, 10, 15, 20, 30 A Adjustable sensitivity: 1, 1.5, 2, 3, 5, 7.5, 10, 15, 20, 30 A Adjustable trip: 0, 0.15, 0.25, 0.5, 1, 2.5, 5 seconds Supply voltage: 230/240 V - 50/60 Hz
		Number of modules: 2
		Coils
1	0 260 92	For use with residual current relay Cat.No 0 260 88
1	0 260 93	1 coil per DPX ³
1	0 260 94	Coil Ø35 mm
1	0 260 95	Coil Ø80 mm
1	0 260 96	Coil Ø110 mm
1	0 260 97	Coil Ø140 mm
1	0 260 98	Coil Ø210 mm
1	0 260 97	Coil Ø150 mm - open
1	0 260 98	Coil Ø310 mm - open

Residual current relay and coils

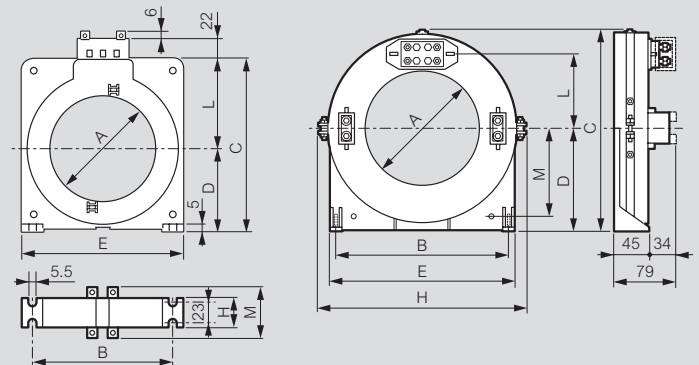
Residual current relay

Cat.No 0 260 88



Coils

Cat.Nos 0 260 92/93/94/95/96 Cat.No 0 260 97



Cat.Nos	A	B	C	D	E	H	L	M
0 260 92	35	75	85	42	92	36	43	56
0 260 93	80	108	132	67	125	36	65	56
0 260 94	110	148	170	86	165	36	84	56
0 260 95	140	177	206	104	200	36	102	56
0 260 96	210	270	295	150	290	44	145	64
0 260 97	150	225	259	133	245	275	95	113

Cat.No 0 260 98

