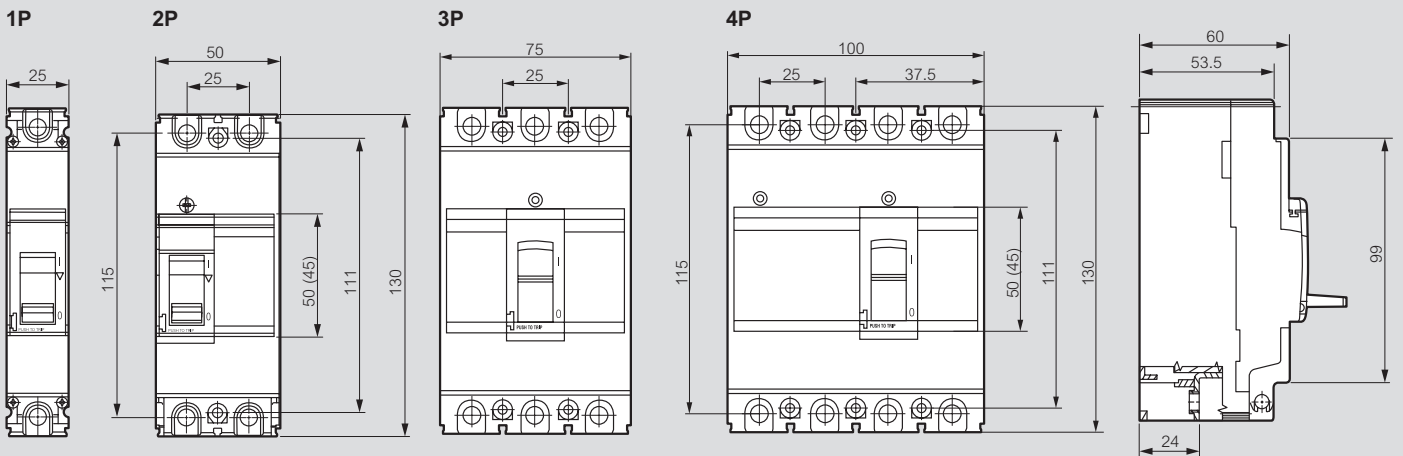


DRX™ 125

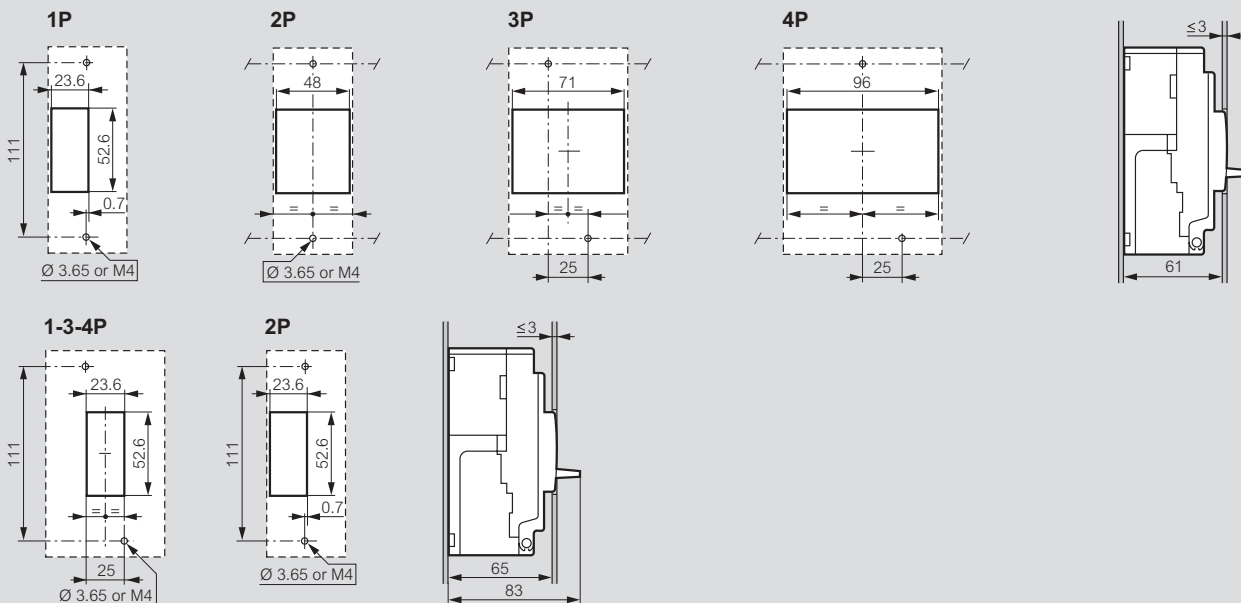
dimensions and mounting principle

Dimensions



Mounting principle

Door cut-out



Auxiliary contacts

	Voltage (V)	Resistive load (A)
Vac	125	5
	250	5
Vdc	30	5
	50	1
	75	0.75
	125	0.5
250	0.25	
Mechanical endurance (No. of operations)		5 x 10 ⁶
Temperature (°C)		- 40 to 85 °C

