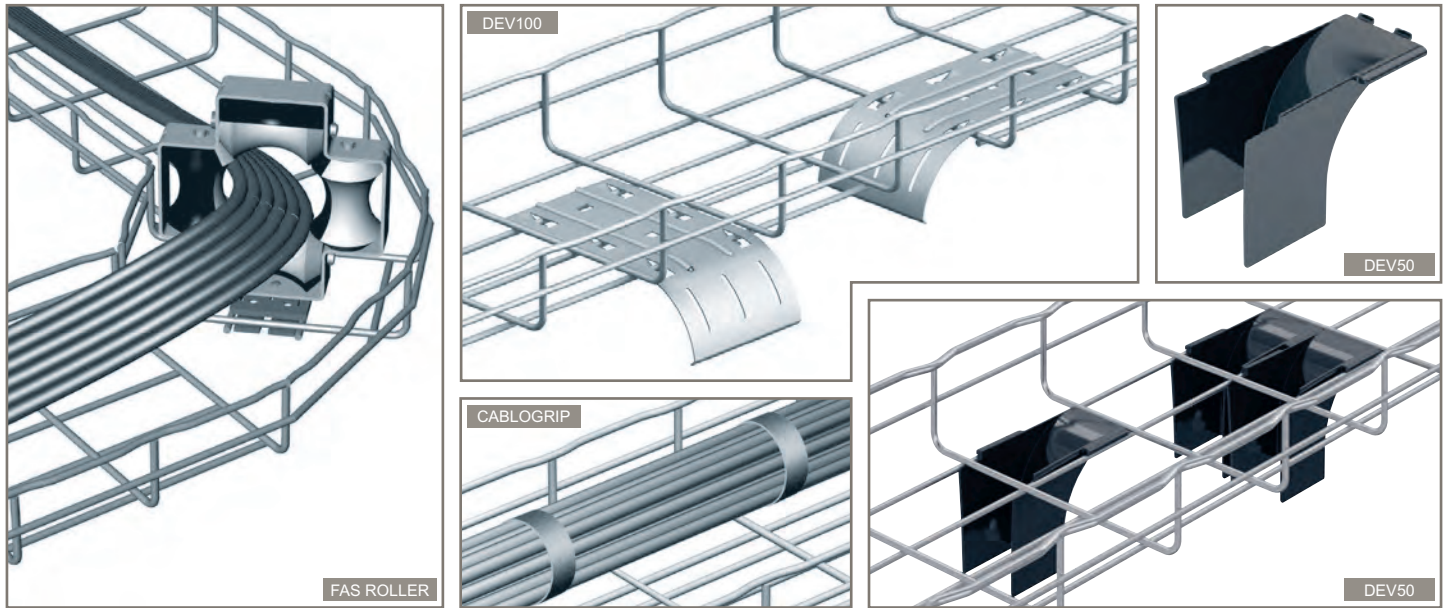
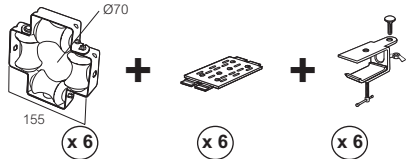
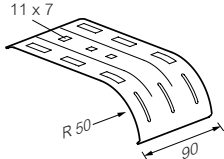

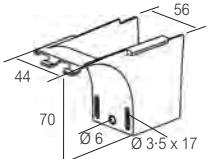


cabling accessories - FAS ROLLER - DEV100 - DEV50 - CABLOGRIP



 Dimensions and technical information p. 137-139

NOTE : please use Cat. No. when placing your order

Pack	Cat. Nos.	Cabling accessories	Pack	Cat. Nos.	Cabling accessories (continued)	
1	<div style="display: flex; align-items: center;"> <div style="margin-right: 10px;">GS</div> <div>CM011100</div> </div>	<p>FAS ROLLER – cabling roller</p> <p>↕ 30 → 150 mm ↻ 50 → 600 mm</p> <p>For technical information see p. 139</p> 	1	<div style="display: flex; align-items: center;"> <div style="margin-right: 10px;">GS</div> <div style="margin-right: 10px;">HR</div> <div>CM585160 CM585167</div> </div> <div style="margin-top: 5px;"> <div style="display: flex; align-items: center;"> <div style="margin-right: 10px;">316L</div> <div>CM585164</div> </div> </div>	<p>DEV100 – cable dropout plates</p> <p>↕ 30 → 150 mm ↻ 100 → 600 m</p> <p>For technical information see p. 137</p> 	<p>CABLOGRIP – cable grip</p> <p>↕ 30 → 150 mm ↻ 100 → 600 mm</p> <p>For technical information see p. 139</p> <p>L mm 5 000</p> 
2	<div style="display: flex; align-items: center;"> <div style="margin-right: 10px;">ABS</div> <div>CM350535</div> </div>	<p>DEV50 – dropout module</p> <p>↕ 30 → 150 mm ↻ 100 → 600 mm</p> <p>For technical information see p. 138</p> 				

Key: GS Pre-galvanised	316L Stainless steel 316 L
HR High Resistance*	ABS ABS
* For more information on High Resistance finish p. 12-13, 150	
For detailed information related to finishes, refer to p. 150-151	

All dimensions (mm) are nominal