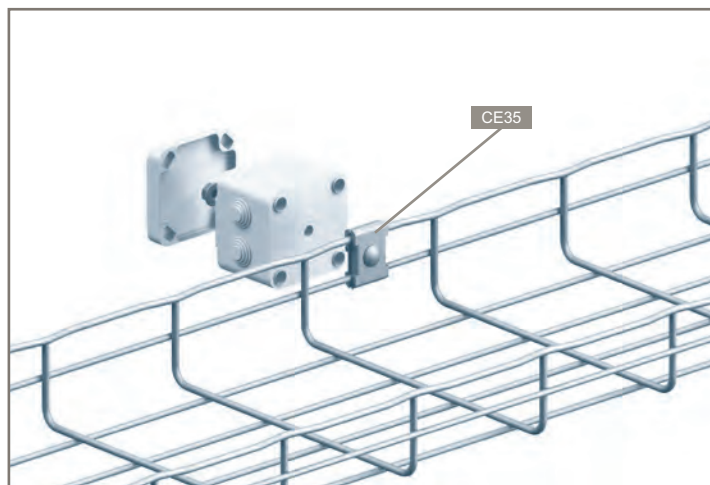
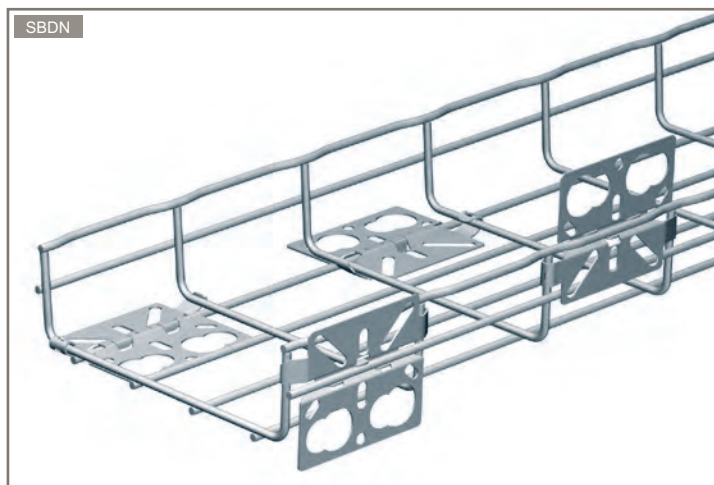


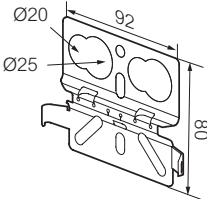



other mounting - take-off plates - SBDN - CE35






 Dimensions and technical information **p. 134**

NOTE : please use Cat. No. when placing your order

Pack	Cat. Nos.	Take-off plates
		SBDN – universal conduit take-off plates
		↳ 30 → 150 mm ↳ 50 → 600 mm
		For technical information see p. 134
1	 CM350575  CM350576	
1	 CM350577	

Pack	Cat. Nos.	CE35 – mounting plates
		↳ 54 → 150 mm ↳ 50 → 600 mm
		For technical information, see p. 134
25	 CM558180  CM558187	
25	 CM558184	

Key:  Pre-galvanised	 Stainless steel 316 L
 High Resistance*	
* For more information on High Resistance finish p. 12-13, 150	For detailed information related to finishes, refer to p. 150-151

All dimensions (mm) are nominal