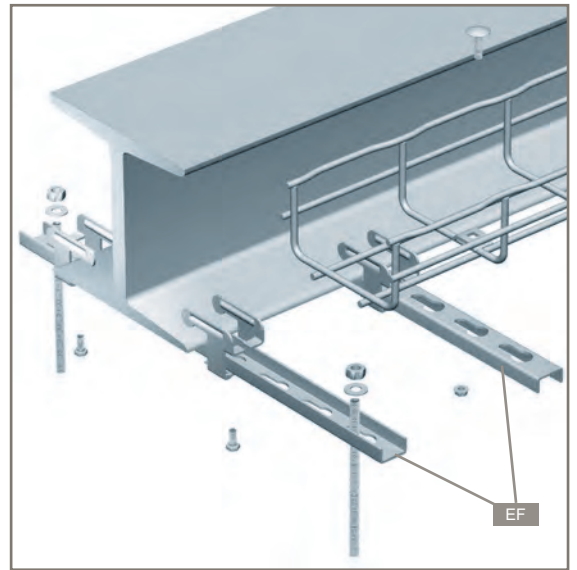
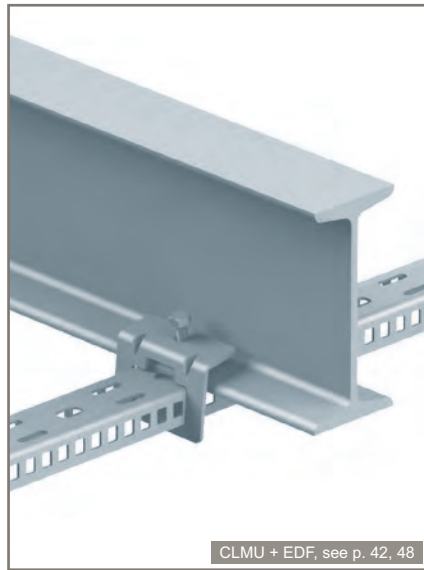
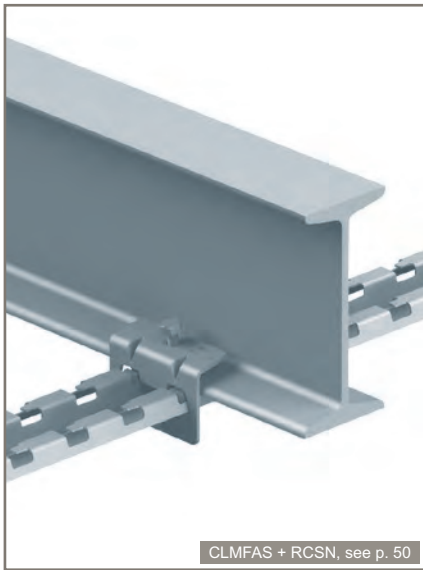


beam mounting - CLMFAS - CLMU - EF



Dimensions and technical information p. 129-131

NOTE : please use Cat. No. when placing your order

Pack	Cat. Nos.	Beam clamps
1	<div style="display: flex; justify-content: space-around;"> <div style="text-align: center;"> GS CM559280 </div> <div style="text-align: center;"> HR CM559287 </div> </div>	CLMFAS – beam clamps ⚡ 30 → 105 mm ⚡ 50 → 600 mm For use with RCSN, see p. 129 For technical information see p. 129 ⚙️ daN.m 18
1	<div style="text-align: center;"> 316L CM559284 </div>	18
1	<div style="display: flex; justify-content: space-around;"> <div style="text-align: center;"> GS CM559090 </div> <div style="text-align: center;"> HR CM559097 </div> </div>	CLMU – beam clamps ⚡ 30 → 150 mm ⚡ 50 → 600 mm For use with EDF, see p. 130 For technical information see p. 130 ⚙️ daN.m 15

Pack	Cat. Nos.	Beam clamps (continued)												
1	<div style="text-align: center;"> EZ CM559201 CM559211 </div>	EF – adjustable beam clamps ⚡ 30 → 54 mm ⚡ 100 → 300 mm For technical information see p. 131 <table border="1" style="display: inline-table;"> <thead> <tr> <th>L</th> <th>⚙️</th> <th>H</th> </tr> <tr> <th>mm</th> <th>daN.m</th> <th>mm</th> </tr> </thead> <tbody> <tr> <td>EF11/400</td> <td>1→11</td> <td>3-5</td> </tr> <tr> <td>EF15/600</td> <td>1→15</td> <td>5-5</td> </tr> </tbody> </table>	L	⚙️	H	mm	daN.m	mm	EF11/400	1→11	3-5	EF15/600	1→15	5-5
L	⚙️	H												
mm	daN.m	mm												
EF11/400	1→11	3-5												
EF15/600	1→15	5-5												

Key: GS Pre-galvanised 316L Stainless steel 316 L

EZ Electrogalvanised after manufacture

HR High Resistance*

* For more information on High Resistance finish p. 12-13, 150 For detailed information related to finishes, refer to p. 150-151

All dimensions (mm) are nominal