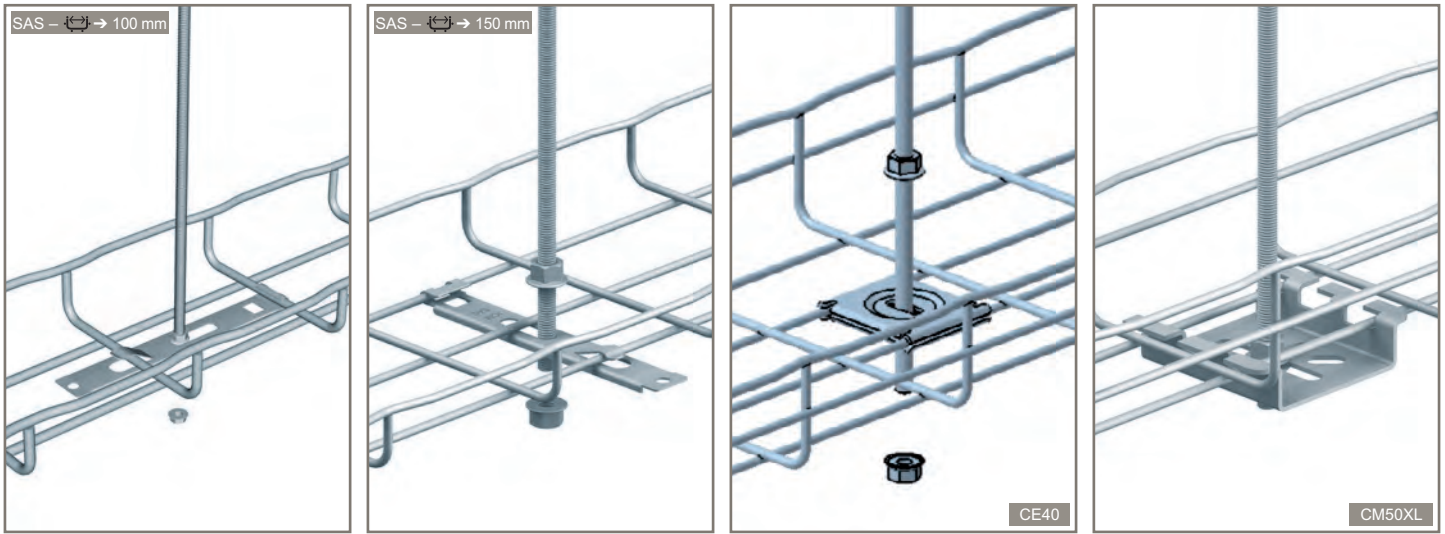


ceiling mounting - SAS - CE40 - CM50XL



Dimensions and technical information p. 112-113

NOTE : please use Cat. No. when placing your order

Pack	Cat. Nos.	SAS – suspension hangers				
1	<table border="0"> <tr> <td></td> <td></td> </tr> <tr> <td>CM586031</td> <td>CM586037</td> </tr> </table>			CM586031	CM586037	<p>↓ 30 → 54 mm ↔ 100 → 150 mm</p> <p>For technical information, see p. 112</p> <p>↓ daN 60</p>
CM586031	CM586037					

Pack	Cat. Nos.	CE40 – hold down clamps				
25	<table border="0"> <tr> <td></td> <td></td> </tr> <tr> <td>CM558051</td> <td>CM558056</td> </tr> </table>			CM558051	CM558056	<p>↓ 30 → 54 mm ↔ 100 → 200 mm</p> <p>For technical information, see p. 113</p> <p>↓ daN 100</p>
CM558051	CM558056					
25	<table border="0"> <tr> <td></td> <td></td> </tr> <tr> <td>CM558058</td> <td>CM558054</td> </tr> </table>			CM558058	CM558054	<p>↓ daN 100</p>
CM558058	CM558054					
25	<table border="0"> <tr> <td></td> </tr> <tr> <td>CM558053</td> </tr> </table>		CM558053	<p>↓ daN 100</p>		
CM558053						
25	<table border="0"> <tr> <td></td> </tr> <tr> <td>CM350839</td> </tr> </table>		CM350839	<p>ZN+ colour : black</p> <p>↓ daN 100</p>		
CM350839						

Pack	Cat. Nos.	CM50XL – universal mounting plates (large)				
1	<table border="0"> <tr> <td></td> <td></td> </tr> <tr> <td>CM586130</td> <td>CM586133</td> </tr> </table>			CM586130	CM586133	<p>↓ 30 → 54 mm ↔ 100 → 200 mm</p> <p>For technical information, see p. 113</p> <p>↓ daN 100</p>
CM586130	CM586133					
1	<table border="0"> <tr> <td></td> <td></td> </tr> <tr> <td>CM586138</td> <td>CM586134</td> </tr> </table>			CM586138	CM586134	<p>↓ daN 100</p>
CM586138	CM586134					
1	<table border="0"> <tr> <td></td> </tr> <tr> <td>CM350880</td> </tr> </table>		CM350880	<p>EZ+ colour : black</p> <p>↓ daN 100</p>		
CM350880						

Key:			
	Pre-galvanised		Zinc rich coating
	Electro-galvanised after manufacture		High Resistance*
	Additional coating after electro-galvanisation (black)		Stainless steel 304 L
	Zinc nickel plus additional coating (black)		Stainless steel 316 L

* For more information on High Resistance finish p. 12-13, 150

For detailed information related to finishes, refer to p. 150-151

All dimensions (mm) are nominal